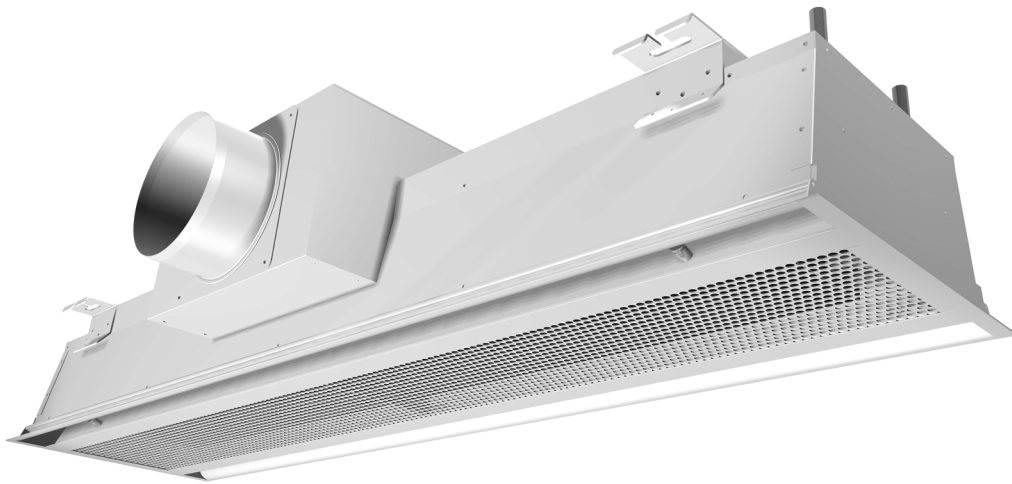




# Ceiling induction diffuser

## DISA-300



Ferdinand Schad KG  
Steigstraße 25-27  
D-78600 Kolbingen  
Telephone +49 (0) 74 63 - 980 - 0  
Fax +49 (0) 74 63 - 980 - 200  
[info@schako.de](mailto:info@schako.de)  
[www.schako.de](http://www.schako.de)

## Ceiling induction diffuser DISA-300

### Contents

<b>Description</b> .....	<b>3</b>
<b>Advantages</b> .....	<b>3</b>
<b>Function</b> .....	<b>3</b>
<b>Description of the equipment</b> .....	<b>4</b>
Construction .....	4
Fastening .....	4
Model .....	4
Accessories .....	4
<b>Models and dimensions</b> .....	<b>5</b>
Dimensions and weights .....	5
Accessories .....	9
Figures .....	10
System solution .....	10
<b>Technical data</b> .....	<b>11</b>
Performance data .....	11
Sound level .....	43
<b>Control units</b> .....	<b>44</b>
Valves .....	44
Actuators .....	45
Control units .....	46
Condensation monitor .....	48
<b>Mounting</b> .....	<b>49</b>
<b>Maintenance</b> .....	<b>49</b>
<b>Legend</b> .....	<b>49</b>
<b>Order details</b> .....	<b>50</b>
<b>Specification text</b> .....	<b>51</b>

## Ceiling induction diffuser DISA-300

### Description

Ceiling induction diffusers combine the flow characteristics of air diffusers with the energetic advantages of load discharge via water-based heat exchangers, allowing them to remove high thermal loads from the room while keeping the hygienically required air exchange low.

The construction of the ceiling induction diffuser DISA-300 is very maintenance- and mounting-friendly and is also suitable for low false ceiling heights, due to its small height.

Its 4 different nozzle configurations A, B, C, D and lengths of up to 3.0 metres allow the ceiling induction diffuser DISA-300 to be precisely adapted to all room requirements.

### Advantages

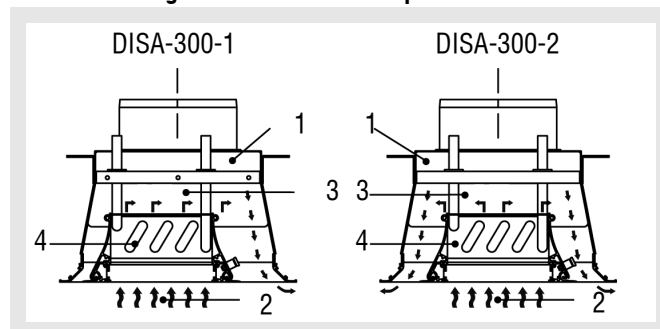
- High energy efficiency
- High performance (compensation of high thermal loads)
- Compact dimensions and low height
- Saving in energy by means of reduced primary air
- Low noise level
- low mounting and maintenance expenditure

### Function

The primary air (1) supplied from the plenum box induces secondary air in the room (2), which is cooled or heated via the register (4).

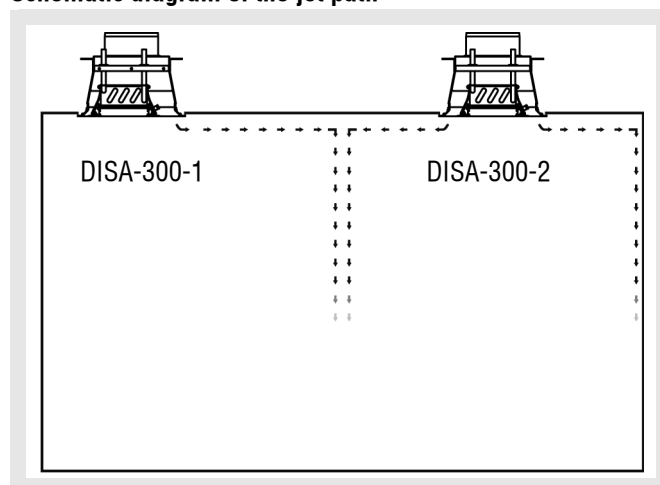
The primary air is mixed with the cooled secondary air. The mixed (3) primary and secondary air flows are supplied to the room at low velocity via 1 or 2 supply air slots.

### Schematic diagram of the mode of operation



- 1 Primary air
- 2 Room air
- 3 Secondary air
- 4 Heat exchanger

### Schematic diagram of the jet path



## Ceiling induction diffuser DISA-300

### Description of the equipment

#### Construction

##### Housing

- Galvanised steel sheet with 1 or 2 primary air connecting pieces  $\varnothing 98$ ,  $\varnothing 123$  (standard) and  $\varnothing 148$  mm. Return air connecting piece as an option.
- Connecting piece position for primary and return air:
  - Horizontal (-H)
  - Vertical (-V)
- Arrangement of the primary air connecting pieces:
  - 1 horizontal connecting piece in the middle (-AS1, standard) or (-AS4)
  - 2 horizontal connecting pieces (-AS2/AS3) or (-AS5/-AS6)
  - 1 vertical connecting piece in the middle (-AS7)
  - 2 vertical connecting pieces (-AS8/-AS9)
- Return air connecting piece arrangement:
  - 1 horizontal connecting piece (-HL or -HR), at the front or at the back (-1 or -2)
  - 1 vertical connecting piece (-VR or -VL)

##### Slot

- Extruded aluminium profile painted to RAL 9010 (white, standard)

##### Perforated sheet grille (-SR/-SQ/-RE/-OB)

- Galvanised sheet steel perforated sheet grille painted to RAL 9010 (white, standard) with different perforated sheet grille designs

##### Louvre grid (-PA)

- Extruded aluminium profile painted to RAL 9010 (white, standard)

##### Heat exchanger

- 2-pipe system (cooling or heating) or optionally 4-pipe system (cooling and heating)
  - Galvanised sheet steel frame
  - Aluminium blades
  - Copper pipes  $\varnothing 12$  mm
  - Connection Cu, d=12 x 1.0 smooth
  - painted RAL 9005 (black, optional)

#### Fastening

##### Fixing lugs

- for easy suspension of the induction diffuser

#### Model

- |                |  |
|----------------|--|
| DISA-300-1-... | - 1-slot   |
| DISA-300-2-... | - 2-slot   |
| DISA-300-H     | - 2-pipe system (standard)   |
| DISA-300-HT    | - 4-pipe system  |
| DISA-300-BO    | - without register   |
| DISA-...-LE    | - With individually adjustable air deflection                          |
| DISA-...-LB    | - Blockwise adjustable air deflection blades                           |
| DISA-...-SR    | - Foldable perforated sheet, perforation $\varnothing 6$ mm (standard) |
| DISA-...-SQ    | - Foldable perforated sheet, perforation 8x8                           |
| DISA-...-RE    | - Foldable perforated sheet, perforation 12x5                          |
| DISA-...-OB    | - Foldable perforated sheet, oval perforation 20x6 mm                  |
| DISA-...-PA    | - Foldable louvre grid type PA   |
| DISA-...-A     | - Nozzle configuration A<br>(Technical data p. 10-13 + 26-29)          |
| DISA-...-B     | - Nozzle configuration B<br>(Technical data p. 14-17 + 30-33)          |
| DISA-...-C     | - Nozzle configuration C<br>(Technical data p. 18-21 + 34-37)          |
| DISA-...-D     | - Nozzle configuration D<br>(Technical data p. 22-25 + 38-41)          |
| DISA-...-298   | - Total width 298 mm   |
| DISA-...-FM    | - Total width 600 mm   |
| DISA-...-900   | - nominal length 900 mm  |
| DISA-...-1200  | - nominal length 1200 mm   |
| DISA-...-1500  | - nominal length 1500 mm   |
| DISA-...-1800  | - nominal length 1800 mm   |
| DISA-...-2100  | - nominal length 2100 mm   |
| DISA-...-2400  | - nominal length 2400 mm   |
| DISA-...-2700  | - nominal length 2700 mm   |
| DISA-...-3000  | - nominal length 3000 mm   |
| DISA-...-2E    | - Model with two end pieces (standard)                                 |
| DISA-...-EL    | - Model with left-hand end piece                                       |
| DISA-...-ER    | - Model with right-hand end piece                                      |
| DISA-...-OE    | - Model without end pieces   |
| DISA-...-A     | - with return air connecting piece                                     |
| DISA-...-BA    | - Accessories for band design  |

#### Accessories

##### Rubber lip seal (-GD)

##### Flexible connection hoses

- 500 mm (-FA 500)
- 800 mm (-FA 800)
- 1200 mm (-FA1200)

##### External thread flat sealing (-WA 1/2)

##### Volumetric flow measuring tube

##### Control units

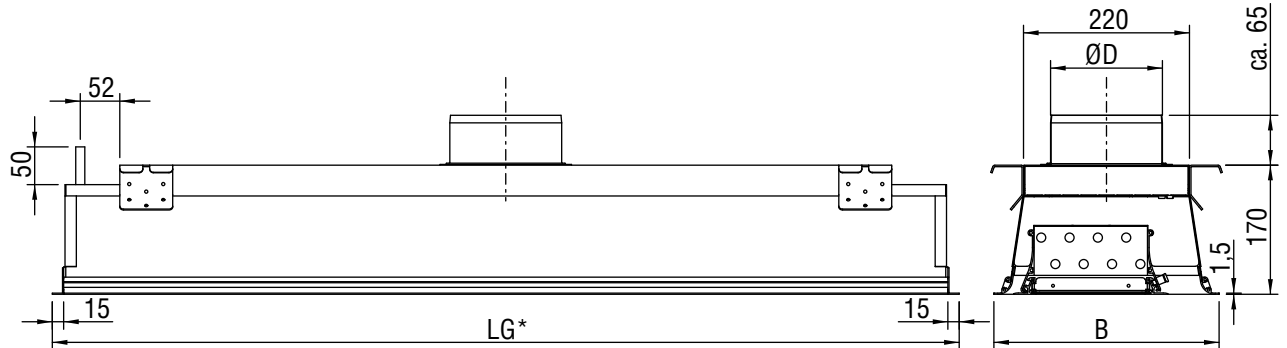
- Valves
- Actuators
- Room temperature control
- Condensation detector

# Ceiling induction diffuser DISA-300

## Models and dimensions

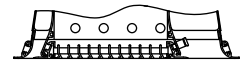
### Dimensions and weights

#### DISA-300-1



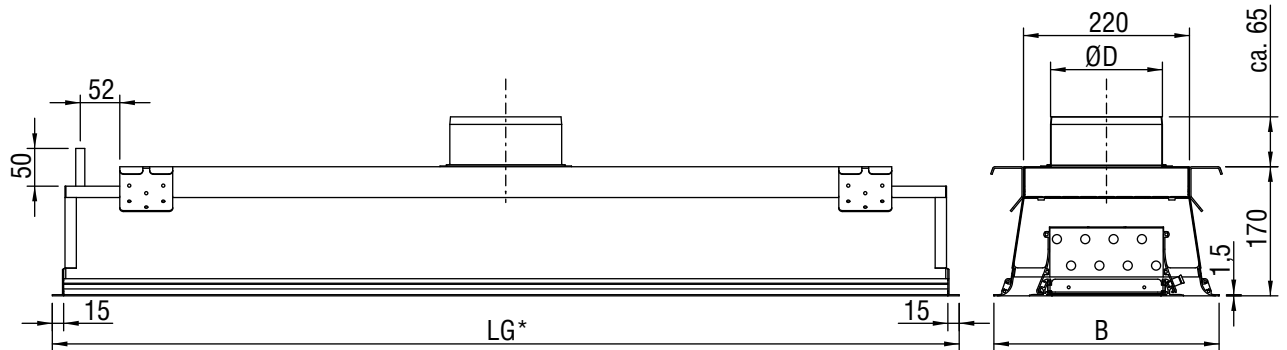
LG\* (mm) = total length of the device with and without end pieces  
 B (mm) = 298 / 600 (-FM)  
 øD (mm) = diameter of the connection pipes (98, 123 and 148)

with perforated sheet grille (-SR/-SQ/-RE/-OB)



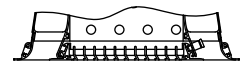
with louvre grid (-PA)

#### DISA-300-2



LG\* (mm) = total length of the device with and without end pieces  
 B (mm) = 298 / 600 (-FM)  
 øD (mm) = diameter of the connection pipes (98, 123 and 148)

with perforated sheet grille (-SR/-SQ/-RE/-OB)



with louvre grid (-PA)

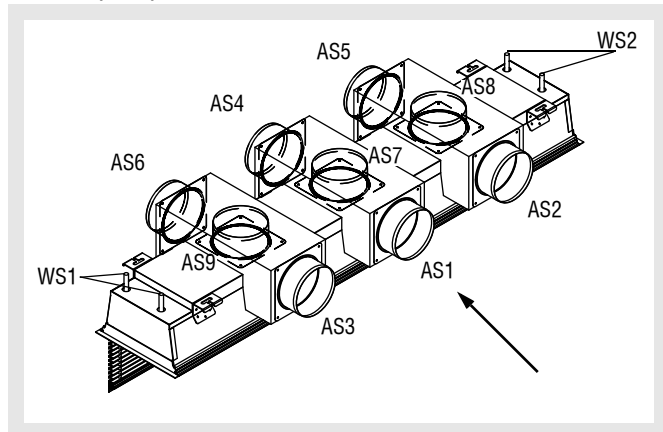
### Weights DISA-300

NL	900	1200	1500	1800	2100	2400	2700	3000
Weights <sup>(1)</sup> (kg)	13	17	20	24	27	31	34	38

<sup>(1)</sup> Standard unit: housing + slot + grille and heat exchanger (empty)

## Ceiling induction diffuser DISA-300

### Arrangement of the connecting pieces (-AS) and water connection (-WS)



#### Number/position of the connecting pieces

- with horizontal connection (-H)
  - with 1 central connecting piece (-AS1) or (-AS4)
  - with 2 connecting pieces (-AS2/AS3) or (-AS5/AS6)
- with vertical connection (-V)
  - with 1 central connecting piece (-AS7)
  - with 2 connecting pieces (-AS8/AS9)

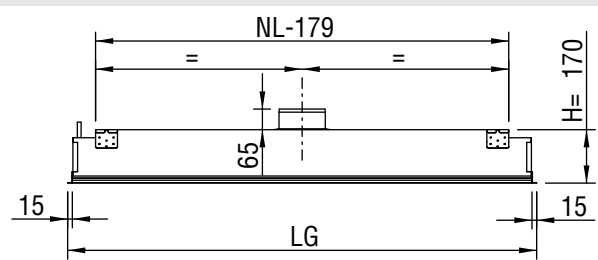
#### Number/position of the water connections

- with 2 water connections (2-pipe system, standard)
- with 4 water connections (4-pipe system)
- sideways top left (-WS1)
- sideways top right (-WS2)

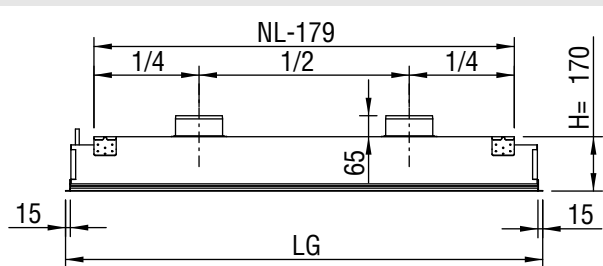
### Number of connecting pieces

#### Vertical connection (-V)

##### with 1 connecting piece (-AS1)

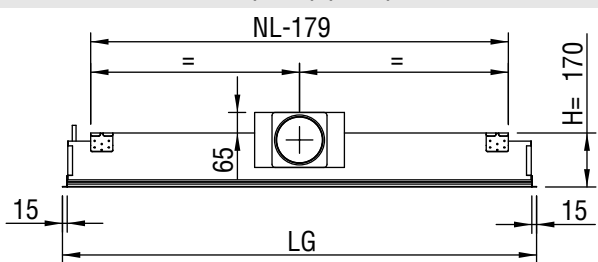


##### with 2 connecting pieces (-AS2/AS3)

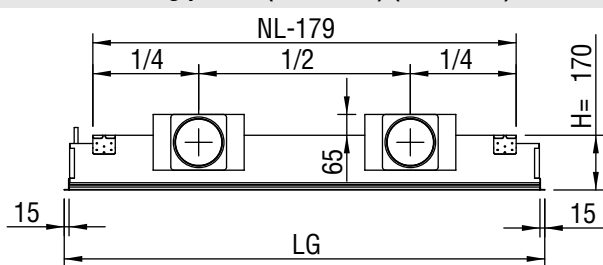


#### Horizontal connection (-H)

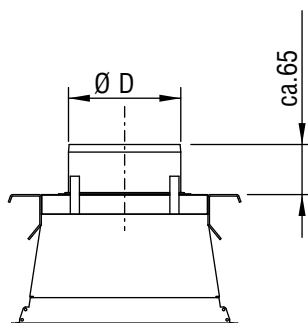
##### with 1 connecting piece (-AS1) (-AS4)



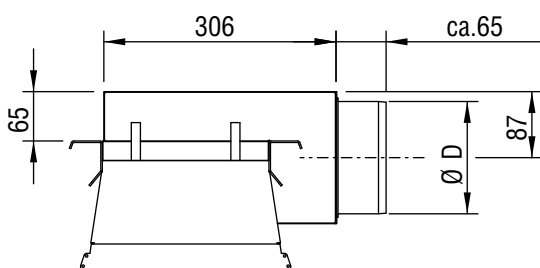
##### with 2 connecting pieces (-AS2/AS3) (-AS5/AS6)



#### Vertical connection (-V)

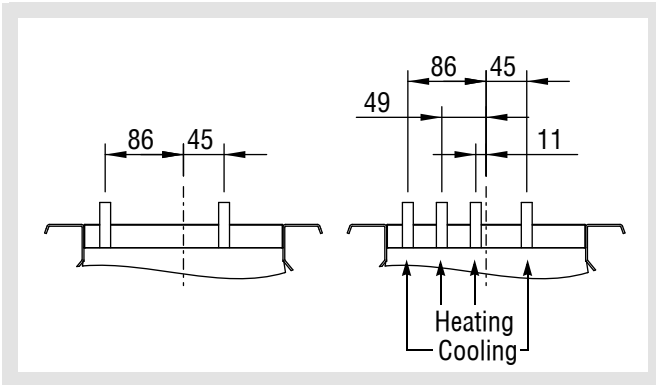


#### Horizontal connection (-H)

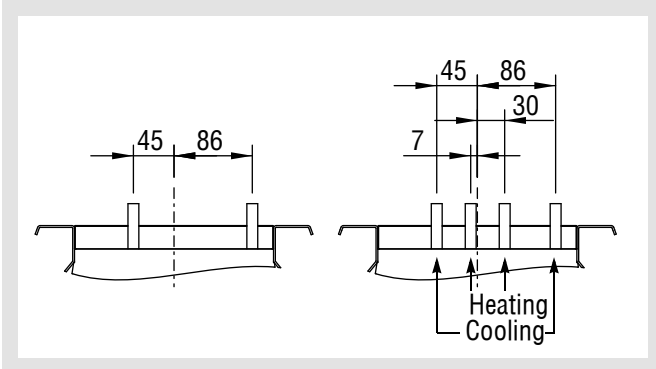


## Ceiling induction diffuser DISA-300

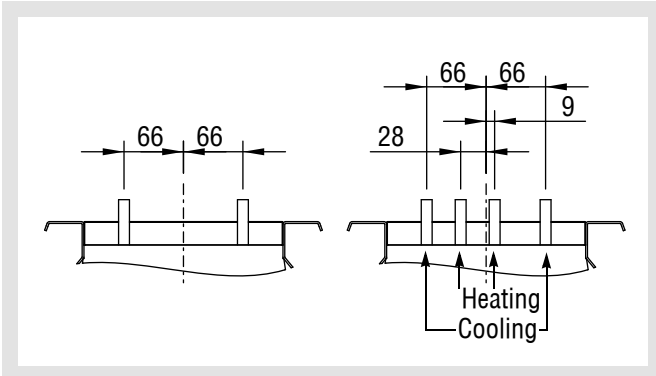
### Hydraulic connections DISA-300-1-...-WS1



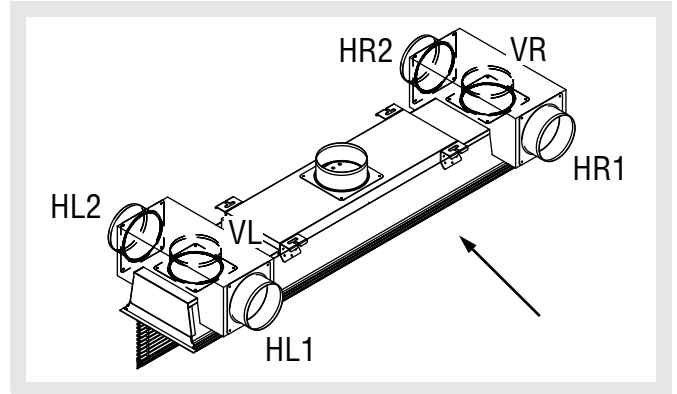
### DISA-300-1-...-WS2



### DISA-300-2-...-



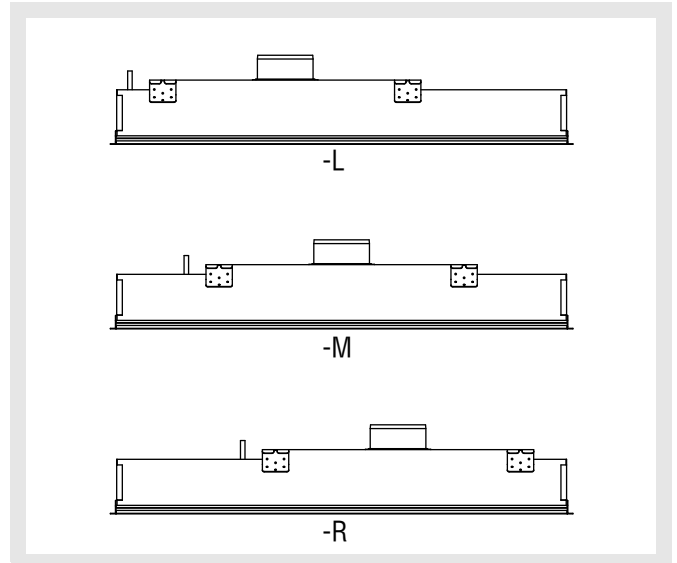
### Return air connecting piece arrangement(-A)



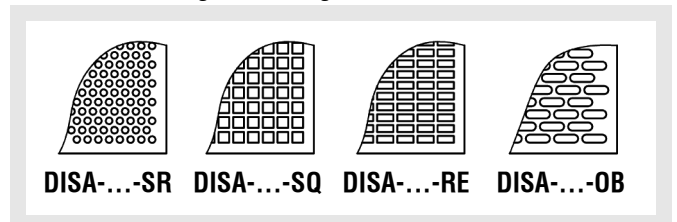
### Number/position of the return air connecting pieces

- with horizontal connection (-H)
  - Right front (R1) or right back (R2)
  - Left front (L1) or left back (L2)
- with vertical connection (-V)
  - Right (R)
  - Left (L)

### Housing position

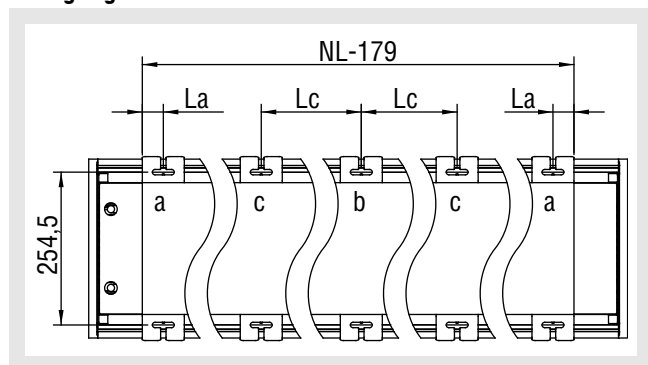


### Perforated sheet grille- Design



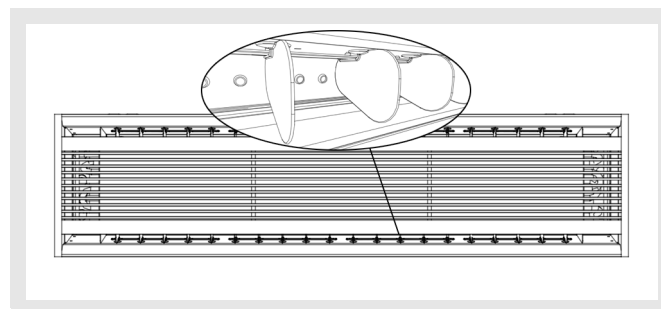
## Ceiling induction diffuser DISA-300

### Fixing lugs



NL (mm)	La (mm)	Lc (mm)	V	H	
				1 connecting piece	2 connecting pieces
900	25	-	a	a	a
1200		-	a	a	a
1500		-	a	a	a
1800		-	a	a	a
2100		234	a,b	a,c	a,b
2400		217	a,b	a,c	a,b
2700		206	a,b	a,c	a,b
3000		198	a,b	a,c	a,b

### Air deflection blades



- Individually adjustable air deflection blades (-LE)
- Blockwise adjustable air deflection blades (-LB)

With blockwise adjustable blades, 5 blades can be adjusted simultaneously.

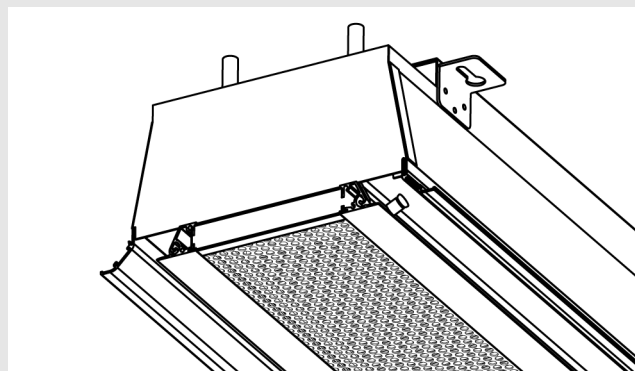


The adjusting angle of the air deflection blades must not be more than  $\pm 45^\circ$ , in order to guarantee its function.

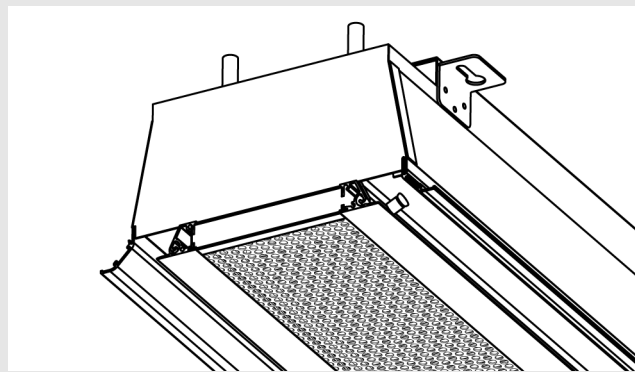


At an adjusting angle of the air deflection blades outside the straight air throw of up to  $45^\circ$ , the cooling capacity of the heat exchanger is reduced by up to 5%, and the horizontal throw is reduced.

### DISA-300-1-H



### DISA-300-2-H

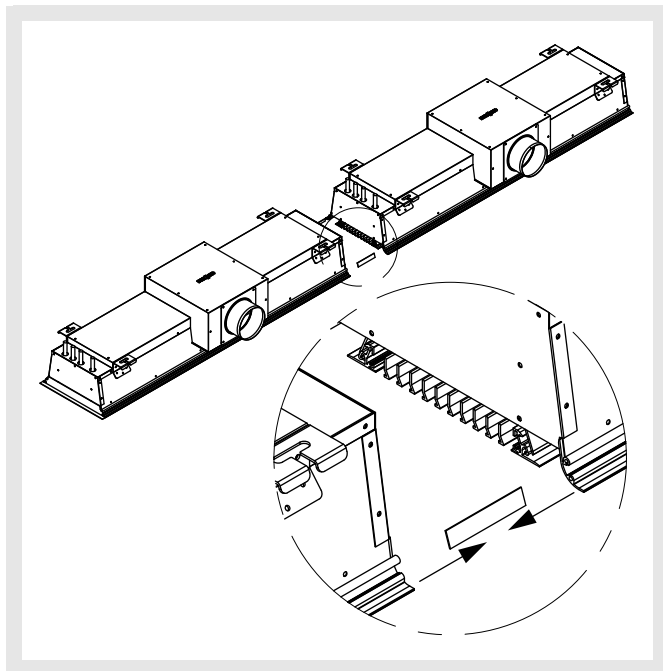




## Ceiling induction diffuser DISA-300

### Accessories

#### Band design (-BA)



#### Flexible connection hoses (-FA)

Flexible armoured hose with stainless steel braid, oxygen diffusion layer to DIN 4726, one-sided by means of plug-in fitting 90° with stainless steel claw, support ring, 2 sealing rings (operating pressure 20 bar, test pressure 60 bar, temperature -40° to +80°) and lock washer, other side 1/2" spigot nut with flat seal.

L= 500, 800 and 1200 mm. Other lengths on request.

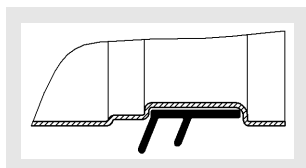
#### External thread flat-sealing

Water connections 1/2" external thread flat-sealing



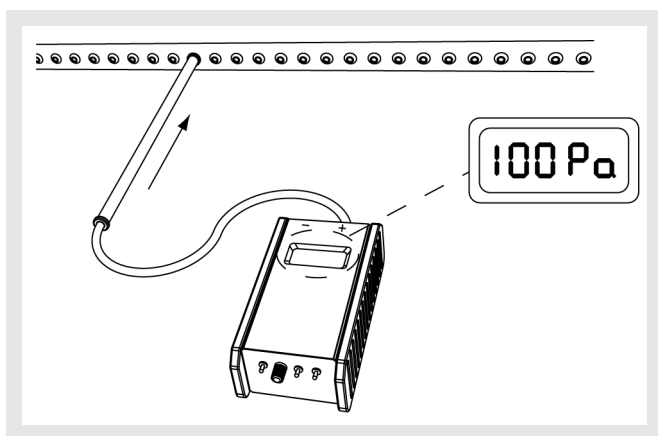
#### Rubber lip seal (-GD)

at the connection pipe for better tightness.



#### Volumetric flow measuring tube (-MR)

The supplied primary volumetric flow can be simply checked by checking the static pressure with a Pa meter.

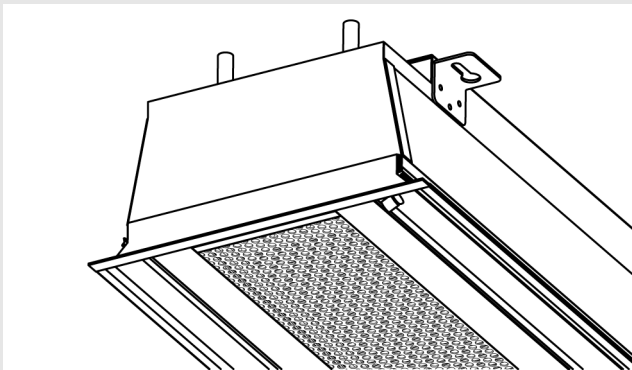


## Ceiling induction diffuser DISA-300

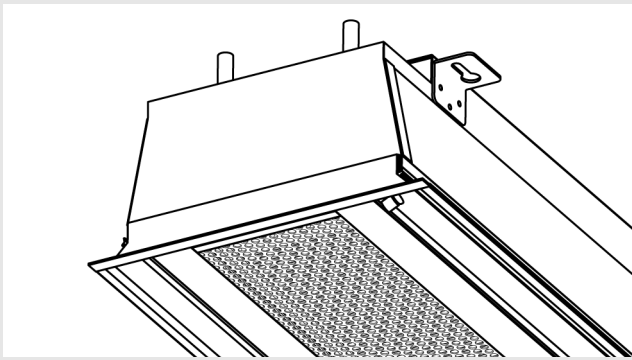
### Figures

DISA-300 with end piece (-2E, standard)

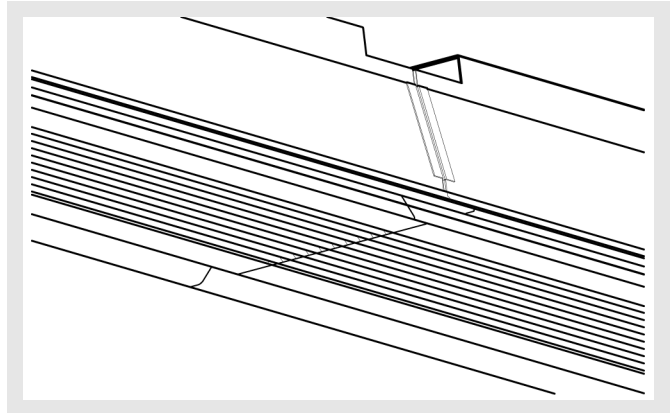
DISA-300-1-H



DISA-300-2-H



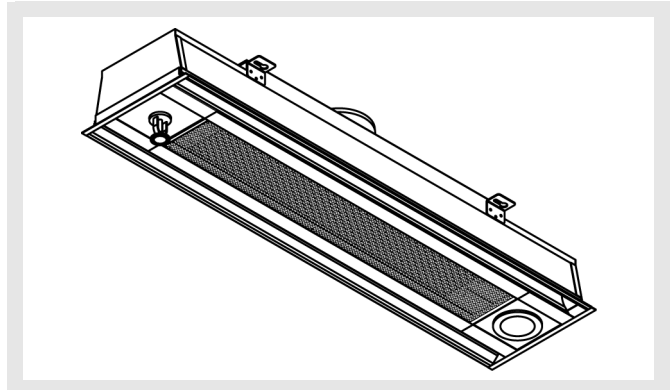
DISA-300 band design without end pieces mounted in-between



### System solution

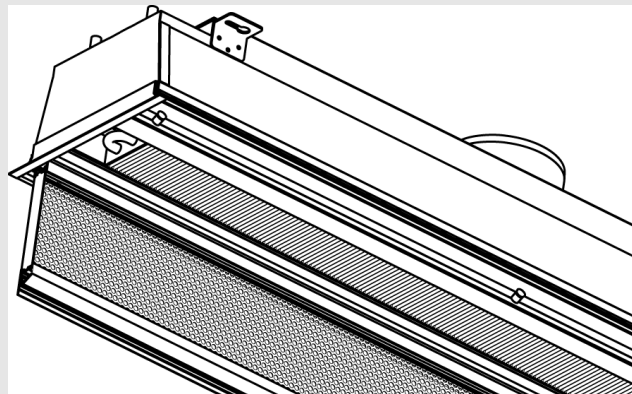
SCHAKO offers system solutions that can be integrated perfectly into the room architecture.

Example of a system solution with lighting and sprinkler

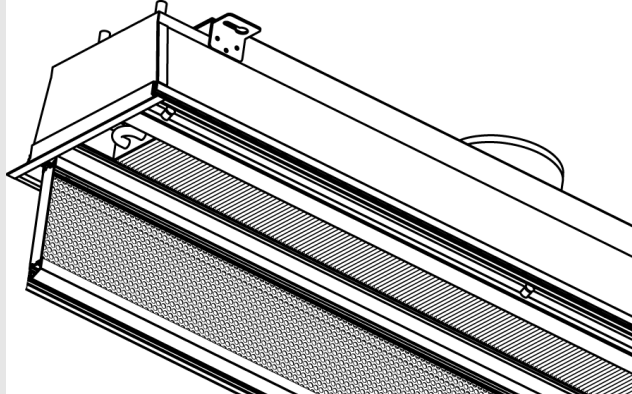


DISA-300 with foldable grille

DISA-300-1-H



DISA-300-2-H



## Ceiling induction diffuser DISA-300

### Technical data

### Performance data

### DISA-300-1-H-...-A Cooling

NL (mm)	V		P <sub>s</sub> (Pa)	Cooling capacity primary air (W) Δt <sub>pr</sub> (K)				Cooling capacity water (W) Δt <sub>rwv</sub> (K)						Δp <sub>w</sub> (kPa)	
	(m <sup>3</sup> /h)	[l/s]		6	8	10	12	6	7	8	9	10	11		12
900	10,6	2,9	50	21	28	35	42	60	71	81	91	101	112	122	6,9
	13	3,6	75	26	35	43	52	75	88	100	113	126	139	152	6,9
	15	4,2	100	30	40	50	60	87	102	117	131	146	161	177	6,9
	16,7	4,6	125	33	45	56	67	97	114	131	147	164	181	198	6,9
	18,3	5,1	150	37	49	61	73	107	125	143	162	180	199	218	6,9
	21,2	5,9	200	42	56	71	85	123	144	165	187	208	230	251	6,9
1200	15,7	4,4	50	31	42	52	63	88	102	117	132	147	162	177	8,5
	19,2	5,3	75	38	51	64	77	107	126	144	162	181	199	218	8,5
	22,2	6,2	100	44	59	74	89	124	145	166	187	208	230	251	8,5
	24,8	6,9	125	50	66	83	99	138	161	184	208	232	256	280	8,5
	27,2	7,5	150	54	72	91	109	150	175	201	227	253	279	305	8,5
	31,4	8,7	200	63	84	105	125	170	199	228	258	287	317	347	8,5
1500	20	5,6	50	40	53	67	80	112	130	149	168	187	206	226	10,1
	24,5	6,8	75	49	65	82	98	137	160	183	207	230	254	278	10,1
	28,3	7,9	100	57	75	94	113	157	184	211	238	265	292	320	10,1
	31,6	8,8	125	63	84	105	126	175	205	235	265	295	325	356	10,1
	34,6	9,6	150	69	92	115	139	190	223	255	288	321	354	387	10,1
	40	11,1	200	80	107	133	160	216	252	290	327	364	402	440	10,1
1800	25,1	7	50	50	67	84	100	139	163	187	210	234	258	282	11,7
	30,7	8,5	75	61	82	102	123	171	200	229	259	288	318	347	11,7
	35,5	9,9	100	71	95	118	142	197	231	264	298	332	366	400	11,7
	39,7	11	125	79	106	132	159	219	256	294	331	369	407	445	11,7
	43,5	12,1	150	87	116	145	174	238	278	319	360	401	443	484	11,7
	50,2	13,9	200	100	134	167	201	269	315	361	408	455	502	549	11,7
2100	29,4	8,2	50	59	78	98	118	163	191	219	247	274	302	331	13,3
	36	10	75	72	96	120	144	201	235	269	303	338	372	407	13,3
	41,6	11,6	100	83	111	139	166	231	270	309	349	389	429	469	13,3
	46,5	12,9	125	93	124	155	186	256	299	343	387	432	476	521	13,3
	50,9	14,1	150	102	136	170	204	277	325	372	420	468	517	566	13,3
	58,8	16,3	200	118	157	196	235	313	366	420	474	529	584	639	13,3
2400	33,7	9,4	50	67	90	112	135	186	218	249	281	313	345	377	14,9
	41,3	11,5	75	83	110	138	165	229	268	307	346	386	425	465	14,9
	47,7	13,2	100	95	127	159	191	264	309	354	399	444	490	536	14,9
	53,3	14,8	125	107	142	178	213	293	343	393	443	494	545	596	14,9
	58,4	16,2	150	117	156	195	234	317	371	426	481	536	591	647	14,9
	67,4	18,7	200	135	180	225	270	357	418	480	542	604	667	730	14,9
2700	38,4	10,7	50	77	102	128	154	212	247	283	319	356	392	428	16,5
	47,1	13,1	75	94	125	157	188	261	305	350	394	439	484	530	16,5
	54,3	15,1	100	109	145	181	217	301	352	403	455	506	559	611	16,5
	60,7	16,9	125	121	162	202	243	333	390	447	504	562	620	679	16,5
	66,5	18,5	150	133	177	222	266	361	423	484	547	609	672	736	16,5
	76,8	21,3	200	154	205	256	307	405	474	544	614	685	756	828	16,5
3000	43,1	12	50	86	115	144	172	236	276	316	356	397	437	478	18,1
	52,8	14,7	75	106	141	176	211	291	340	389	439	489	539	589	18,1
	61	16,9	100	122	163	203	244	333	389	446	503	561	618	676	18,1
	68,2	18,9	125	136	182	227	273	366	429	491	554	618	682	746	18,1
	74,7	20,7	150	149	199	249	299	394	461	528	596	664	733	802	18,1
	86,2	24	200	172	230	287	345	434	508	583	658	734	810	887	18,1

V<sub>Wh</sub> = 0.07 l/s corresponds to 250 l/h

## Ceiling induction diffuser DISA-300

### DISA-300-1-HT-...-A Cooling

NL (mm)	V		P <sub>s</sub> (Pa)	Cooling capacity primary air (W) Δt <sub>Pr</sub> (K)				Cooling capacity water (W) Δt <sub>RWV</sub> (K)						ΔP <sub>w</sub> (kPa)	
	(m³/h)	[l/s]		6	8	10	12	6	7	8	9	10	11		12
900	10,6	2,9	50	21	28	35	42	60	70	80	90	100	111	121	5,1
	13	3,6	75	26	35	43	52	74	87	99	112	124	137	149	5,1
	15	4,2	100	30	40	50	60	86	101	115	129	144	158	173	5,1
	16,7	4,6	125	33	45	56	67	97	113	129	145	161	177	193	5,1
	18,3	5,1	150	37	49	61	73	106	123	141	158	176	194	211	5,1
	21,2	5,9	200	42	56	71	85	121	142	162	182	202	223	243	5,1
1200	15,7	4,4	50	31	42	52	63	87	102	116	131	145	160	175	6,3
	19,2	5,3	75	38	51	64	77	107	125	142	160	178	196	214	6,3
	22,2	6,2	100	44	59	74	89	123	143	164	184	205	225	246	6,3
	24,8	6,9	125	50	66	83	99	136	159	182	204	227	250	273	6,3
	27,2	7,5	150	54	72	91	109	148	173	197	222	247	271	296	6,3
	31,4	8,7	200	63	84	105	125	168	196	224	252	280	308	335	6,3
1500	20	5,6	50	40	53	67	80	111	130	148	167	185	204	222	7,5
	24,5	6,8	75	49	65	82	98	136	159	181	204	227	249	272	7,5
	28,3	7,9	100	57	75	94	113	156	182	208	234	260	286	312	7,5
	31,6	8,8	125	63	84	105	126	173	202	231	260	289	318	347	7,5
	34,6	9,6	150	69	92	115	139	188	219	251	282	313	345	376	7,5
	40	11,1	200	80	107	133	160	213	248	284	319	355	390	425	7,5
1800	25,1	7	50	50	67	84	100	139	162	185	208	231	255	278	8,7
	30,7	8,5	75	61	82	102	123	170	199	227	255	284	312	340	8,7
	35,5	9,9	100	71	95	118	142	195	228	261	293	326	358	391	8,7
	39,7	11	125	79	106	132	159	217	253	289	325	361	397	433	8,7
	43,5	12,1	150	87	116	145	174	235	274	313	352	391	431	470	8,7
	50,2	13,9	200	100	134	167	201	265	309	353	398	442	486	530	8,7
2100	29,4	8,2	50	59	78	98	118	163	190	217	244	271	299	326	9,9
	36	10	75	72	96	120	144	199	233	266	299	332	366	399	9,9
	41,6	11,6	100	83	111	139	166	229	267	305	343	381	420	458	9,9
	46,5	12,9	125	93	124	155	186	253	296	338	380	422	465	507	9,9
	50,9	14,1	150	102	136	170	204	274	320	366	412	457	503	549	9,9
	58,8	16,3	200	118	157	196	235	309	360	412	463	514	566	617	9,9
2400	33,7	9,4	50	67	90	112	135	186	217	248	279	309	340	371	11,1
	41,3	11,5	75	83	110	138	165	228	266	304	342	380	418	456	11,1
	47,7	13,2	100	95	127	159	191	262	305	349	393	436	480	524	11,1
	53,3	14,8	125	107	142	178	213	290	338	387	435	483	531	580	11,1
	58,4	16,2	150	117	156	195	234	314	366	418	471	523	575	628	11,1
	67,4	18,7	200	135	180	225	270	353	411	470	529	588	646	705	11,1
2700	38,4	10,7	50	77	102	128	154	211	246	281	316	352	387	422	12,3
	47,1	13,1	75	94	125	157	188	259	303	346	389	432	476	519	12,3
	54,3	15,1	100	109	145	181	217	298	348	398	447	497	547	596	12,3
	60,7	16,9	125	121	162	202	243	330	385	440	495	550	605	660	12,3
	66,5	18,5	150	133	177	222	266	357	416	476	535	595	654	714	12,3
	76,8	21,3	200	154	205	256	307	400	466	533	599	666	733	799	12,3
3000	43,1	12	50	86	115	144	172	235	274	314	353	392	431	471	13,5
	52,8	14,7	75	106	141	176	211	289	337	385	433	481	529	578	13,5
	61	16,9	100	122	163	203	244	330	385	440	495	550	605	660	13,5
	68,2	18,9	125	136	182	227	273	363	423	484	544	605	665	726	13,5
	74,7	20,7	150	149	199	249	299	389	454	519	584	649	714	779	13,5
	86,2	24	200	172	230	287	345	429	500	572	643	715	786	858	13,5

V<sub>Wn</sub> = 0.07 l/s corresponds to 250 l/h

## Ceiling induction diffuser DISA-300

### DISA-300-2-H-...-A Cooling

NL (mm)	V		P <sub>s</sub> (Pa)	Cooling capacity primary air (W) Δt <sub>Pr</sub> (K)				Cooling capacity water (W) Δt <sub>RWV</sub> (K)						Δp <sub>w</sub> (kPa)	
	(m <sup>3</sup> /h)	[l/s]		6	8	10	12	6	7	8	9	10	11		12
900	10,6	2,9	50	21	28	35	42	69	81	93	104	116	128	140	6,9
	13	3,6	75	26	35	43	52	85	100	114	129	144	158	173	6,9
	15	4,2	100	30	40	50	60	99	116	133	150	167	184	201	6,9
	16,7	4,6	125	33	45	56	67	110	129	148	167	187	206	225	6,9
	18,3	5,1	150	37	49	61	73	121	141	162	183	204	225	247	6,9
	21,2	5,9	200	42	56	71	85	139	162	186	210	235	259	284	6,9
1200	15,7	4,4	50	31	42	52	63	100	116	133	150	167	184	202	8,5
	19,2	5,3	75	38	51	64	77	122	142	163	184	205	226	247	8,5
	22,2	6,2	100	44	59	74	89	139	163	187	211	235	259	284	8,5
	24,8	6,9	125	50	66	83	99	154	181	207	234	261	288	315	8,5
	27,2	7,5	150	54	72	91	109	167	196	225	254	283	312	342	8,5
	31,4	8,7	200	63	84	105	125	189	221	254	287	320	353	387	8,5
1500	20	5,6	50	40	53	67	80	127	148	170	191	213	235	257	10,1
	24,5	6,8	75	49	65	82	98	155	181	207	234	261	287	314	10,1
	28,3	7,9	100	57	75	94	113	177	207	238	268	299	330	361	10,1
	31,6	8,8	125	63	84	105	126	196	229	263	297	331	365	400	10,1
	34,6	9,6	150	69	92	115	139	212	248	285	322	359	396	433	10,1
	40	11,1	200	80	107	133	160	239	280	321	363	405	447	489	10,1
1800	25,1	7	50	50	67	84	100	159	185	212	239	267	294	321	11,7
	30,7	8,5	75	61	82	102	123	194	227	260	293	326	360	394	11,7
	35,5	9,9	100	71	95	118	142	222	259	297	336	374	413	451	11,7
	39,7	11	125	79	106	132	159	245	287	329	371	414	456	500	11,7
	43,5	12,1	150	87	116	145	174	265	310	355	401	447	494	541	11,7
	50,2	13,9	200	100	134	167	201	297	348	399	451	503	555	608	11,7
2100	29,4	8,2	50	59	78	98	118	186	217	249	281	313	345	377	13,3
	36	10	75	72	96	120	144	227	265	304	343	382	421	461	13,3
	41,6	11,6	100	83	111	139	166	259	303	348	392	437	482	528	13,3
	46,5	12,9	125	93	124	155	186	286	335	384	433	483	533	583	13,3
	50,9	14,1	150	102	136	170	204	308	361	414	467	521	575	630	13,3
	58,8	16,3	200	118	157	196	235	345	404	463	523	584	644	706	13,3
2400	33,7	9,4	50	67	90	112	135	212	248	284	321	357	393	430	14,9
	41,3	11,5	75	83	110	138	165	259	303	348	392	437	482	527	14,9
	47,7	13,2	100	95	127	159	191	297	347	398	449	500	552	604	14,9
	53,3	14,8	125	107	142	178	213	327	383	439	495	552	609	666	14,9
	58,4	16,2	150	117	156	195	234	352	412	473	534	595	657	719	14,9
	67,4	18,7	200	135	180	225	270	393	460	527	596	664	734	803	14,9
2700	38,4	10,7	50	77	102	128	154	242	282	324	365	406	448	489	16,5
	47,1	13,1	75	94	125	157	188	296	346	396	447	498	549	600	16,5
	54,3	15,1	100	109	145	181	217	338	395	453	511	569	628	687	16,5
	60,7	16,9	125	121	162	202	243	372	435	499	563	627	692	758	16,5
	66,5	18,5	150	133	177	222	266	399	468	536	606	675	745	816	16,5
	76,8	21,3	200	154	205	256	307	443	519	595	672	750	828	907	16,5
3000	43,1	12	50	86	115	144	172	269	315	360	406	453	499	545	18,1
	52,8	14,7	75	106	141	176	211	327	383	439	495	551	608	665	18,1
	61	16,9	100	122	163	203	244	371	434	497	561	625	690	754	18,1
	68,2	18,9	125	136	182	227	273	404	472	542	611	681	752	823	18,1
	74,7	20,7	150	149	199	249	299	429	503	576	651	725	800	876	18,1
	86,2	24	200	172	230	287	345	467	547	627	708	789	871	954	18,1

V<sub>Wh</sub> = 0.07 l/s corresponds to 250 l/h

## Ceiling induction diffuser DISA-300

### DISA300-2-HT-...-A Cooling

NL (mm)	V		P <sub>s</sub> (Pa)	Cooling capacity primary air (W) Δt <sub>Pr</sub> (K)				Cooling capacity water (W) Δt <sub>RWV</sub> (K)						Δp <sub>w</sub> (kPa)	
	(m³/h)	[l/s]		6	8	10	12	6	7	8	9	10	11		12
900	10,6	2,9	50	21	28	35	42	69	80	92	103	115	126	138	5,1
	13	3,6	75	26	35	43	52	85	99	113	127	141	155	169	5,1
	15	4,2	100	30	40	50	60	98	114	131	147	163	179	196	5,1
	16,7	4,6	125	33	45	56	67	109	127	146	164	182	200	218	5,1
	18,3	5,1	150	37	49	61	73	119	139	159	179	199	219	239	5,1
	21,2	5,9	200	42	56	71	85	136	159	182	205	227	250	273	5,1
1200	15,7	4,4	50	31	42	52	63	99	116	132	149	165	182	198	6,3
	19,2	5,3	75	38	51	64	77	121	141	161	181	201	221	241	6,3
	22,2	6,2	100	44	59	74	89	138	161	184	207	230	253	276	6,3
	24,8	6,9	125	50	66	83	99	153	178	203	229	254	280	305	6,3
	27,2	7,5	150	54	72	91	109	165	193	220	248	275	303	330	6,3
	31,4	8,7	200	63	84	105	125	186	217	248	279	310	341	372	6,3
1500	20	5,6	50	40	53	67	80	126	147	168	189	210	231	252	7,5
	24,5	6,8	75	49	65	82	98	154	179	205	230	256	282	307	7,5
	28,3	7,9	100	57	75	94	113	176	205	234	263	293	322	351	7,5
	31,6	8,8	125	63	84	105	126	194	226	258	291	323	355	388	7,5
	34,6	9,6	150	69	92	115	139	209	244	279	314	349	384	419	7,5
	40	11,1	200	80	107	133	160	235	275	314	353	392	431	471	7,5
1800	25,1	7	50	50	67	84	100	158	184	210	237	263	289	316	8,7
	30,7	8,5	75	61	82	102	123	192	224	256	288	320	352	384	8,7
	35,5	9,9	100	71	95	118	142	219	256	293	329	366	402	439	8,7
	39,7	11	125	79	106	132	159	242	282	323	363	403	444	484	8,7
	43,5	12,1	150	87	116	145	174	261	305	348	392	435	479	522	8,7
	50,2	13,9	200	100	134	167	201	292	341	390	438	487	536	584	8,7
2100	29,4	8,2	50	59	78	98	118	185	216	247	278	308	339	370	9,9
	36	10	75	72	96	120	144	225	263	300	338	375	413	450	9,9
	41,6	11,6	100	83	111	139	166	257	299	342	385	428	470	513	9,9
	46,5	12,9	125	93	124	155	186	282	330	377	424	471	518	565	9,9
	50,9	14,1	150	102	136	170	204	304	355	406	456	507	558	608	9,9
	58,8	16,3	200	118	157	196	235	339	396	452	509	565	622	678	9,9
2400	33,7	9,4	50	67	90	112	135	211	246	282	317	352	387	423	11,1
	41,3	11,5	75	83	110	138	165	257	300	343	386	429	472	515	11,1
	47,7	13,2	100	95	127	159	191	294	342	391	440	489	538	587	11,1
	53,3	14,8	125	107	142	178	213	323	377	431	484	538	592	646	11,1
	58,4	16,2	150	117	156	195	234	348	405	463	521	579	637	695	11,1
	67,4	18,7	200	135	180	225	270	386	451	515	580	644	708	773	11,1
2700	38,4	10,7	50	77	102	128	154	240	280	320	361	401	441	481	12,3
	47,1	13,1	75	94	125	157	188	293	342	391	440	489	538	586	12,3
	54,3	15,1	100	109	145	181	217	334	390	446	501	557	613	668	12,3
	60,7	16,9	125	121	162	202	243	367	428	490	551	612	673	734	12,3
	66,5	18,5	150	133	177	222	266	394	460	526	591	657	723	788	12,3
	76,8	21,3	200	154	205	256	307	436	509	581	654	727	799	872	12,3
3000	43,1	12	50	86	115	144	172	268	312	357	402	446	491	536	13,5
	52,8	14,7	75	106	141	176	211	325	379	433	487	541	596	650	13,5
	61	16,9	100	122	163	203	244	367	428	489	551	612	673	734	13,5
	68,2	18,9	125	136	182	227	273	399	466	532	599	665	732	798	13,5
	74,7	20,7	150	149	199	249	299	424	495	565	636	707	777	848	13,5
	86,2	24	200	172	230	287	345	460	537	613	690	767	844	920	13,5

V<sub>Wn</sub> = 0.07 l/s corresponds to 250 l/h

## Ceiling induction diffuser DISA-300

### DISA-300-1-H-...-B Cooling

NL (mm)	V		P <sub>s</sub> (Pa)	Cooling capacity primary air (W) Δt <sub>Pr</sub> (K)				Cooling capacity water (W) Δt <sub>RWV</sub> (K)						Δp <sub>w</sub> (kPa)	
	(m <sup>3</sup> /h)	[l/s]		6	8	10	12	6	7	8	9	10	11		12
900	18,1	5	50	36	48	60	72	100	117	134	152	169	186	204	6,9
	22,2	6,2	75	44	59	74	89	117	137	157	177	197	218	238	6,9
	25,7	7,1	100	51	68	86	103	130	152	174	196	219	242	265	6,9
	28,7	8	125	57	77	96	115	140	164	188	213	237	262	287	6,9
	31,4	8,7	150	63	84	105	126	149	175	201	227	253	280	306	6,9
	36,3	10,1	200	73	97	121	145	164	193	221	250	279	308	338	6,9
1200	26,9	7,5	50	54	72	90	108	141	165	189	213	237	262	287	8,5
	32,9	9,1	75	66	88	110	132	162	189	217	245	273	302	330	8,5
	38	10,6	100	76	101	127	152	178	208	238	269	300	332	363	8,5
	42,5	11,8	125	85	113	142	170	190	223	256	289	322	356	390	8,5
	46,6	12,9	150	93	124	155	186	201	235	270	305	340	376	412	8,5
	53,8	14,9	200	108	143	179	215	218	256	293	332	370	409	448	8,5
1500	34,3	9,5	50	69	91	114	137	180	211	242	273	304	335	367	10,1
	42	11,7	75	84	112	140	168	207	242	277	313	349	385	422	10,1
	48,5	13,5	100	97	129	162	194	226	265	304	344	383	423	463	10,1
	54,2	15,1	125	108	145	181	217	242	284	326	368	410	453	496	10,1
	59,4	16,5	150	119	158	198	237	256	299	344	388	433	478	524	10,1
	68,5	19	200	137	183	228	274	277	325	373	421	470	519	569	10,1
1800	43	11,9	50	86	115	143	172	224	262	301	339	378	417	457	11,7
	52,7	14,6	75	105	140	176	211	256	300	344	389	433	478	524	11,7
	60,8	16,9	100	122	162	203	243	280	328	377	425	474	524	574	11,7
	68	18,9	125	136	181	227	272	299	351	402	455	507	560	613	11,7
	74,5	20,7	150	149	199	248	298	315	369	424	479	534	590	646	11,7
	86	23,9	200	172	229	287	344	340	399	458	517	577	638	699	11,7
2100	50,4	14	50	101	134	168	202	263	308	353	398	444	490	536	13,3
	61,7	17,1	75	123	165	206	247	300	352	403	455	507	560	613	13,3
	71,3	19,8	100	143	190	238	285	327	383	440	497	554	612	670	13,3
	79,7	22,1	125	159	213	266	319	349	408	469	529	590	652	714	13,3
	87,3	24,2	150	175	233	291	349	366	429	492	556	621	685	751	13,3
	100,8	28	200	202	269	336	403	394	462	531	600	669	739	810	13,3
2400	57,8	16,1	50	116	154	193	231	302	354	405	457	510	562	615	14,9
	70,8	19,7	75	142	189	236	283	344	403	462	522	582	642	703	14,9
	81,7	22,7	100	163	218	272	327	375	439	503	568	634	700	766	14,9
	91,4	25,4	125	183	244	305	366	398	466	535	604	674	744	815	14,9
	100,1	27,8	150	200	267	334	400	417	489	561	633	707	781	855	14,9
	115,6	32,1	200	231	308	385	462	447	524	602	680	759	838	918	14,9
2700	65,9	18,3	50	132	176	220	263	343	402	461	520	579	639	699	16,5
	80,7	22,4	75	161	215	269	323	390	457	524	591	659	728	797	16,5
	93,1	25,9	100	186	248	310	373	423	496	568	642	716	790	865	16,5
	104,1	28,9	125	208	278	347	417	448	525	602	680	759	838	917	16,5
	114,1	31,7	150	228	304	380	456	468	548	629	711	793	876	959	16,5
	131,7	36,6	200	263	351	439	527	499	585	672	759	847	935	1025	16,5
3000	73,9	20,5	50	148	197	246	296	377	441	505	570	635	701	767	18,1
	90,5	25,1	75	181	241	302	362	421	493	565	638	711	785	859	18,1
	104,5	29	100	209	279	348	418	450	527	604	682	761	840	920	18,1
	116,9	32,5	125	234	312	390	468	471	552	633	715	797	880	964	18,1
	128	35,6	150	256	341	427	512	488	572	656	741	826	913	999	18,1
	147,8	41,1	200	296	394	493	591	518	607	697	787	878	969	1062	18,1

V<sub>Wh</sub> = 0.07 l/s corresponds to 250 l/h

## Ceiling induction diffuser DISA-300

### DISA-300-1-HT-...-B Cooling

NL (mm)	V		P <sub>s</sub> (Pa)	Cooling capacity primary air (W)				Cooling capacity water (W)						ΔP <sub>w</sub> (kPa)	
	(m <sup>3</sup> /h)	[l/s]		Δt <sub>Pr</sub> (K)				Δt <sub>RWV</sub> (K)							
				6	8	10	12	6	7	8	9	10	11	12	
900	18,1	5	50	36	48	60	72	99	116	132	149	165	182	198	5,1
	22,2	6,2	75	44	59	74	89	115	134	154	173	192	211	230	5,1
	25,7	7,1	100	51	68	86	103	128	149	170	191	213	234	255	5,1
	28,7	8	125	57	77	96	115	138	161	184	207	230	253	276	5,1
	31,4	8,7	150	63	84	105	126	147	171	195	220	244	269	293	5,1
	36,3	10,1	200	73	97	121	145	161	188	215	241	268	295	322	5,1
1200	26,9	7,5	50	54	72	90	108	139	163	186	209	232	256	279	6,3
	32,9	9,1	75	66	88	110	132	160	186	213	240	266	293	319	6,3
	38	10,6	100	76	101	127	152	175	204	233	262	292	321	350	6,3
	42,5	11,8	125	85	113	142	170	187	218	250	281	312	343	374	6,3
	46,6	12,9	150	93	124	155	186	197	230	263	296	329	362	395	6,3
	53,8	14,9	200	108	143	179	215	214	250	285	321	357	392	428	6,3
1500	34,3	9,5	50	69	91	114	137	178	208	238	268	297	327	357	7,5
	42	11,7	75	84	112	140	168	204	238	272	306	340	374	408	7,5
	48,5	13,5	100	97	129	162	194	223	260	298	335	372	409	446	7,5
	54,2	15,1	125	108	145	181	217	239	278	318	358	398	437	477	7,5
	59,4	16,5	150	119	158	198	237	251	293	335	377	419	461	502	7,5
	68,5	19	200	137	183	228	274	272	317	362	408	453	498	543	7,5
1800	43	11,9	50	86	115	143	172	222	259	296	333	370	407	444	8,7
	52,7	14,6	75	105	140	176	211	253	295	338	380	422	464	506	8,7
	60,8	16,9	100	122	162	203	243	276	322	368	414	460	507	553	8,7
	68	18,9	125	136	181	227	272	295	344	393	442	491	540	589	8,7
	74,5	20,7	150	149	199	248	298	310	361	413	464	516	568	619	8,7
	86	23,9	200	172	229	287	344	334	389	445	500	556	611	667	8,7
2100	50,4	14	50	101	134	168	202	261	304	347	391	434	478	521	9,9
	61,7	17,1	75	123	165	206	247	296	346	395	445	494	544	593	9,9
	71,3	19,8	100	143	190	238	285	323	376	430	484	538	591	645	9,9
	79,7	22,1	125	159	213	266	319	343	400	457	515	572	629	686	9,9
	87,3	24,2	150	175	233	291	349	360	420	480	540	600	660	720	9,9
	100,8	28	200	202	269	336	403	387	451	516	580	645	709	774	9,9
2400	57,8	16,1	50	116	154	193	231	299	349	399	449	498	548	598	11,1
	70,8	19,7	75	142	189	236	283	340	396	453	510	566	623	680	11,1
	81,7	22,7	100	163	218	272	327	369	431	492	554	615	677	738	11,1
	91,4	25,4	125	183	244	305	366	392	457	522	588	653	718	783	11,1
	100,1	28,7	150	200	267	334	400	410	478	547	615	683	752	820	11,1
	115,6	32,1	200	231	308	385	462	439	512	585	658	732	805	878	11,1
2700	65,9	18,3	50	132	176	220	263	340	396	453	510	566	623	680	12,3
	80,7	22,4	75	161	215	269	323	385	449	514	578	642	706	770	12,3
	93,1	25,9	100	186	248	310	373	417	487	556	626	695	765	834	12,3
	104,1	28,9	125	208	278	347	417	441	515	588	662	735	809	882	12,3
	114,1	31,7	150	228	304	380	456	460	537	614	690	767	844	920	12,3
	131,7	36,6	200	263	351	439	527	490	572	654	735	817	899	980	12,3
3000	73,9	20,5	50	148	197	246	296	373	435	497	559	621	683	746	13,5
	90,5	25,1	75	181	241	302	362	416	485	555	624	693	763	832	13,5
	104,5	29	100	209	279	348	418	444	518	592	666	740	814	888	13,5
	116,9	32,5	125	234	312	390	468	464	542	619	697	774	852	929	13,5
	128	35,6	150	256	341	427	512	481	561	641	721	802	882	962	13,5
	147,8	41,1	200	296	394	493	591	510	594	679	764	849	934	1019	13,5

V<sub>Wn</sub> = 0.07 l/s corresponds to 250 l/h



## Ceiling induction diffuser DISA-300

### DISA-300-2-H-...-B Cooling

NL (mm)	V		P <sub>s</sub> (Pa)	Cooling capacity primary air (W) Δt <sub>Pr</sub> (K)				Cooling capacity water (W) Δt <sub>RWV</sub> (K)						Δp <sub>w</sub> (kPa)	
	(m³/h)	[l/s]		6	8	10	12	6	7	8	9	10	11		12
900	18,1	5	50	36	48	60	72	114	133	153	172	192	212	232	6,9
	22,2	6,2	75	44	59	74	89	132	155	177	200	223	247	270	6,9
	25,7	7,1	100	51	68	86	103	146	171	197	222	248	274	300	6,9
	28,7	8	125	57	77	96	115	158	185	212	240	268	296	324	6,9
	31,4	8,7	150	63	84	105	126	168	197	226	255	285	315	345	6,9
	36,3	10,1	200	73	97	121	145	184	216	248	280	313	346	380	6,9
1200	26,9	7,5	50	54	72	90	108	158	185	212	239	267	295	322	8,5
	32,9	9,1	75	66	88	110	132	181	212	243	274	306	337	369	8,5
	38	10,6	100	76	101	127	152	197	231	265	300	334	369	405	8,5
	42,5	11,8	125	85	113	142	170	211	247	284	320	358	395	433	8,5
	46,6	12,9	150	93	124	155	186	222	260	299	338	377	416	456	8,5
	53,8	14,9	200	108	143	179	215	240	281	323	365	408	451	494	8,5
1500	34,3	9,5	50	69	91	114	137	202	236	271	306	341	377	412	10,1
	42	11,7	75	84	112	140	168	230	270	309	349	390	430	471	10,1
	48,5	13,5	100	97	129	162	194	251	294	338	381	426	470	515	10,1
	54,2	15,1	125	108	145	181	217	268	314	360	407	454	502	550	10,1
	59,4	16,5	150	119	158	198	237	282	330	379	429	478	529	579	10,1
	68,5	19	200	137	183	228	274	305	357	410	464	518	572	627	10,1
1800	43	11,9	50	86	115	143	172	251	294	337	380	424	468	512	11,7
	52,7	14,6	75	105	140	176	211	285	334	383	433	482	533	583	11,7
	60,8	16,9	100	122	162	203	243	310	363	417	471	525	580	635	11,7
	68	18,9	125	136	181	227	272	330	386	443	501	559	618	677	11,7
	74,5	20,7	150	149	199	248	298	346	405	465	526	587	649	711	11,7
	86	23,9	200	172	229	287	344	372	437	501	567	633	700	767	11,7
2100	50,4	14	50	101	134	168	202	294	344	394	445	496	548	600	13,3
	61,7	17,1	75	123	165	206	247	333	389	447	505	563	621	680	13,3
	71,3	19,8	100	143	190	238	285	360	422	485	547	611	674	739	13,3
	79,7	22,1	125	159	213	266	319	382	448	514	581	648	716	785	13,3
	87,3	24,2	150	175	233	291	349	401	470	539	609	680	752	824	13,3
	100,8	28	200	202	269	336	403	431	506	581	657	733	810	888	13,3
2400	57,8	16,1	50	116	154	193	231	337	394	452	511	569	628	688	14,9
	70,8	19,7	75	142	189	236	283	380	445	511	577	643	710	778	14,9
	81,7	22,7	100	163	218	272	327	411	481	552	624	696	768	842	14,9
	91,4	25,4	125	183	244	305	366	434	509	584	660	737	814	891	14,9
	100,1	27,8	150	200	267	334	400	454	532	611	690	770	851	932	14,9
	115,6	32,1	200	231	308	385	462	487	570	655	740	827	913	1001	14,9
2700	65,9	18,3	50	132	176	220	263	382	447	513	579	646	712	780	16,5
	80,7	22,4	75	161	215	269	323	429	503	577	651	726	802	878	16,5
	93,1	25,9	100	186	248	310	373	462	541	620	701	782	863	946	16,5
	104,1	28,9	125	208	278	347	417	486	570	654	738	824	910	997	16,5
	114,1	31,7	150	228	304	380	456	506	593	681	770	859	949	1040	16,5
	131,7	36,6	200	263	351	439	527	541	634	728	823	919	1015	1112	16,5
3000	73,9	20,5	50	148	197	246	296	414	484	555	627	699	771	844	18,1
	90,5	25,1	75	181	241	302	362	455	533	611	690	770	850	930	18,1
	104,5	29	100	209	279	348	418	483	565	648	732	817	902	987	18,1
	116,9	32,5	125	234	312	390	468	505	591	678	766	855	944	1034	18,1
	128	35,6	150	256	341	427	512	526	616	707	799	891	984	1078	18,1
	147,8	41,1	200	296	394	493	591	571	669	768	868	969	1071	1173	18,1

V<sub>Wn</sub> = 0.07 l/s corresponds to 250 l/h

## Ceiling induction diffuser DISA-300

### DISA-300-2-HT-...-B Cooling

NL (mm)	V		P <sub>s</sub> (Pa)	Cooling capacity primary air (W) Δt <sub>Pr</sub> (K)				Cooling capacity water (W) Δt <sub>RWV</sub> (K)						ΔP <sub>w</sub> (kPa)	
	(m³/h)	[l/s]		6	8	10	12	6	7	8	9	10	11		12
900	18,1	5	50	36	48	60	72	112	131	150	169	187	206	225	5,1
	22,2	6,2	75	44	59	74	89	130	152	173	195	217	239	260	5,1
	25,7	7,1	100	51	68	86	103	144	168	192	216	240	264	287	5,1
	28,7	8	125	57	77	96	115	155	181	207	232	258	284	310	5,1
	31,4	8,7	150	63	84	105	126	164	192	219	246	274	301	329	5,1
	36,3	10,1	200	73	97	121	145	180	210	240	270	300	330	359	5,1
1200	26,9	7,5	50	54	72	90	108	156	182	208	234	260	286	312	6,3
	32,9	9,1	75	66	88	110	132	178	208	237	267	297	326	356	6,3
	38	10,6	100	76	101	127	152	194	226	259	291	324	356	388	6,3
	42,5	11,8	125	85	113	142	170	207	241	276	310	345	379	414	6,3
	46,6	12,9	150	93	124	155	186	218	254	290	326	363	399	435	6,3
	53,8	14,9	200	108	143	179	215	235	274	313	352	391	431	470	6,3
1500	34,3	9,5	50	69	91	114	137	200	233	266	299	333	366	399	7,5
	42	11,7	75	84	112	140	168	227	265	302	340	378	416	454	7,5
	48,5	13,5	100	97	129	162	194	247	288	329	371	412	453	494	7,5
	54,2	15,1	125	108	145	181	217	263	307	351	395	438	482	526	7,5
	59,4	16,5	150	119	158	198	237	276	322	368	415	461	507	553	7,5
	68,5	19	200	137	183	228	274	298	348	397	447	497	546	596	7,5
1800	43	11,9	50	86	115	143	172	248	289	330	372	413	454	496	8,7
	52,7	14,6	75	105	140	176	211	281	328	374	421	468	515	561	8,7
	60,8	16,9	100	122	162	203	243	305	355	406	457	508	559	609	8,7
	68	18,9	125	136	181	227	272	323	377	431	485	539	593	647	8,7
	74,5	20,7	150	149	199	248	298	339	396	452	509	565	622	678	8,7
	86	23,9	200	172	229	287	344	364	425	486	546	607	668	729	8,7
2100	50,4	14	50	101	134	168	202	290	339	387	435	484	532	580	9,9
	61,7	17,1	75	123	165	206	247	328	382	437	491	546	601	655	9,9
	71,3	19,8	100	143	190	238	285	354	413	473	532	591	650	709	9,9
	79,7	22,1	125	159	213	266	319	375	438	501	563	626	688	751	9,9
	87,3	24,2	150	175	233	291	349	393	459	524	590	655	721	786	9,9
	100,8	28	200	202	269	336	403	422	493	563	633	704	774	844	9,9
2400	57,8	16,1	50	116	154	193	231	333	388	444	499	555	610	666	11,1
	70,8	19,7	75	142	189	236	283	375	437	499	562	624	687	749	11,1
	81,7	22,7	100	163	218	272	327	404	471	539	606	673	741	808	11,1
	91,4	25,4	125	183	244	305	366	427	498	569	640	711	782	853	11,1
	100,1	27,8	150	200	267	334	400	445	520	594	668	742	817	891	11,1
	115,6	32,1	200	231	308	385	462	476	556	635	715	794	873	953	11,1
2700	65,9	18,3	50	132	176	220	263	377	440	503	566	629	692	755	12,3
	80,7	22,4	75	161	215	269	323	423	493	564	634	705	775	846	12,3
	93,1	25,9	100	186	248	310	373	454	530	605	681	757	832	908	12,3
	104,1	28,9	125	208	278	347	417	478	557	637	716	796	875	955	12,3
	114,1	31,7	150	228	304	380	456	497	580	663	745	828	911	994	12,3
	131,7	36,6	200	263	351	439	527	530	618	707	795	883	972	1060	12,3
3000	73,9	20,5	50	148	197	246	296	409	477	545	613	681	750	818	13,5
	90,5	25,1	75	181	241	302	362	449	524	599	674	748	823	898	13,5
	104,5	29	100	209	279	348	418	475	555	634	713	792	872	951	13,5
	116,9	32,5	125	234	312	390	468	497	580	662	745	828	911	994	13,5
	128	35,6	150	256	341	427	512	517	603	689	775	862	948	1034	13,5
	147,8	41,1	200	296	394	493	591	560	654	747	841	934	1027	1121	13,5

V<sub>Wn</sub> = 0.07 l/s corresponds to 250 l/h

## Ceiling induction diffuser DISA-300

### DISA-300-1-H-...-C Cooling

NL (mm)	V		P <sub>s</sub> (Pa)	Cooling capacity primary air (W) Δt <sub>Pr</sub> (K)				Cooling capacity water (W) Δt <sub>RWV</sub> (K)						Δp <sub>w</sub> (kPa)	
	(m³/h)	[l/s]		6	8	10	12	6	7	8	9	10	11		12
900	33,4	9,3	50	67	89	111	134	140	165	189	213	238	263	288	6,9
	40,9	11,4	75	82	109	136	164	165	193	222	251	280	309	339	6,9
	47,2	13,1	100	94	126	157	189	183	215	247	279	312	345	378	6,9
	52,8	14,7	125	106	141	176	211	198	233	268	303	338	374	410	6,9
	57,9	16,1	150	116	154	193	231	211	248	285	322	360	399	437	6,9
	66,8	18,6	200	134	178	223	267	232	272	313	355	397	439	482	6,9
1200	49,5	13,7	50	99	132	165	198	191	223	256	289	323	356	390	8,5
	60,6	16,8	75	121	162	202	242	218	256	294	332	371	410	449	8,5
	70	19,4	100	140	187	233	280	239	280	322	364	407	449	493	8,5
	78,2	21,7	125	156	209	261	313	256	300	345	390	435	481	528	8,5
	85,7	23,8	150	171	229	286	343	270	317	364	412	460	509	558	8,5
	99	27,5	200	198	264	330	396	293	344	396	448	501	554	608	8,5
1500	63,1	17,5	50	126	168	210	252	242	283	325	367	409	452	495	10,1
	77,3	21,5	75	155	206	258	309	277	324	372	420	469	518	568	10,1
	89,2	24,8	100	178	238	297	357	302	355	407	460	514	568	623	10,1
	99,8	27,7	125	200	266	333	399	324	380	436	493	551	609	668	10,1
	109,3	30,4	150	219	291	364	437	342	401	461	522	583	645	707	10,1
	126,2	35,1	200	252	337	421	505	373	438	504	570	637	705	773	10,1
1800	79,2	22	50	158	211	264	317	300	351	403	455	508	561	615	11,7
	97	26,9	75	194	259	323	388	341	400	459	518	579	639	701	11,7
	112	31,1	100	224	299	373	448	371	435	500	565	631	698	765	11,7
	125,2	34,8	125	250	334	417	501	397	465	535	605	675	747	819	11,7
	137,1	38,1	150	274	366	457	549	419	492	565	639	714	790	866	11,7
	158,4	44	200	317	422	528	633	458	538	618	699	782	865	949	11,7
2100	92,8	25,8	50	186	247	309	371	349	408	468	529	590	652	714	13,3
	113,6	31,6	75	227	303	379	455	394	462	530	599	669	739	810	13,3
	131,2	36,4	100	262	350	437	525	429	503	578	653	729	806	883	13,3
	146,7	40,8	125	293	391	489	587	460	539	619	700	782	865	948	13,3
	160,7	44,6	150	321	429	536	643	488	573	658	744	831	919	1008	13,3
	185,6	51,5	200	371	495	619	742	538	632	727	822	919	1017	1116	13,3
2400	106,4	29,6	50	213	284	355	426	397	465	534	603	672	743	813	14,9
	130,3	36,2	75	261	347	434	521	446	523	601	679	757	837	917	14,9
	150,5	41,8	100	301	401	502	602	483	567	651	736	821	907	994	14,9
	168,2	46,7	125	336	449	561	673	516	605	695	786	878	970	1064	14,9
	184,3	51,2	150	369	491	614	737	547	642	738	834	932	1030	1130	14,9
	212,8	59,1	200	426	567	709	851	605	710	817	924	1033	1142	1253	14,9
2700	121,2	33,7	50	242	323	404	485	448	524	602	680	758	837	917	16,5
	148,5	41,2	75	297	396	495	594	499	585	671	758	846	935	1024	16,5
	171,5	47,6	100	343	457	572	686	538	631	724	819	914	1010	1107	16,5
	191,7	53,2	125	383	511	639	767	575	674	775	876	978	1081	1185	16,5
	210	58,3	150	420	560	700	840	613	719	826	934	1043	1153	1265	16,5
	242,5	67,4	200	485	647	808	970	686	805	926	1048	1171	1295	1421	16,5
3000	136,1	37,8	50	272	363	454	544	471	551	633	714	797	879	963	18,1
	166,7	46,3	75	333	444	556	667	518	607	696	786	877	969	1061	18,1
	192,5	53,5	100	385	513	642	770	567	664	763	862	962	1063	1164	18,1
	215,2	59,8	125	430	574	717	861	626	733	842	952	1063	1175	1288	18,1
	235,7	65,5	150	471	629	786	943	687	806	926	1047	1169	1293	1418	18,1
	272,2	75,6	200	544	726	907	1089	757	888	1021	1155	1291	1428	1566	18,1

V<sub>Wn</sub> = 0.07 l/s corresponds to 250 l/h

## Ceiling induction diffuser DISA-300

### DISA-300-1-HT-...-C Cooling

NL (mm)	V		P <sub>s</sub> (Pa)	Cooling capacity primary air (W) Δt <sub>Pr</sub> (K)				Cooling capacity water (W) Δt <sub>RWV</sub> (K)						ΔP <sub>w</sub> (kPa)	
	(m³/h)	[l/s]		6	8	10	12	6	7	8	9	10	11		12
900	33,4	9,3	50	67	89	111	134	138	161	184	207	230	253	276	5,1
	40,9	11,4	75	82	109	136	164	161	188	215	242	269	296	323	5,1
	47,2	13,1	100	94	126	157	189	179	209	239	269	298	328	358	5,1
	52,8	14,7	125	106	141	176	211	193	226	258	290	322	354	387	5,1
	57,9	16,1	150	116	154	193	231	205	240	274	308	342	376	411	5,1
	66,8	18,6	200	134	178	223	267	225	262	300	337	375	412	450	5,1
1200	49,5	13,7	50	99	132	165	198	187	219	250	281	312	344	375	6,3
	60,6	16,8	75	121	162	202	242	214	250	286	321	357	393	429	6,3
	70	19,4	100	140	187	233	280	234	273	312	351	390	429	468	6,3
	78,2	21,7	125	156	209	261	313	250	291	333	375	416	458	500	6,3
	85,7	23,8	150	171	229	286	343	263	307	351	395	439	482	526	6,3
	99	27,5	200	198	264	330	396	285	333	380	428	475	523	570	6,3
1500	63,1	17,5	50	126	168	210	252	238	278	317	357	397	436	476	7,5
	77,3	21,5	75	155	206	258	309	271	316	362	407	452	497	542	7,5
	89,2	24,8	100	178	238	297	357	296	345	395	444	493	543	592	7,5
	99,8	27,7	125	200	266	333	399	316	369	422	474	527	580	632	7,5
	109,3	30,4	150	219	291	364	437	334	389	445	500	556	612	667	7,5
	126,2	35,1	200	252	337	421	505	363	423	484	544	605	665	726	7,5
1800	79,2	22	50	158	211	264	317	295	344	394	443	492	541	590	8,7
	97	26,9	75	194	259	323	388	334	390	446	501	557	613	669	8,7
	112	31,1	100	224	299	373	448	363	424	484	545	605	666	727	8,7
	125,2	34,8	125	250	334	417	501	387	452	516	581	646	710	775	8,7
	137,1	38,1	150	274	366	457	549	409	477	545	613	681	749	817	8,7
	158,4	44	200	317	422	528	633	445	519	593	668	742	816	890	8,7
2100	92,8	25,8	50	186	247	309	371	343	400	457	514	572	629	686	9,9
	113,6	31,6	75	227	303	379	455	387	451	516	580	645	709	774	9,9
	131,2	36,4	100	262	350	437	525	420	490	560	630	700	770	840	9,9
	146,7	40,8	125	293	391	489	587	449	524	599	674	748	823	898	9,9
	160,7	44,6	150	321	429	536	643	476	555	634	714	793	872	952	9,9
	185,6	51,5	200	371	495	619	742	523	610	698	785	872	959	1046	9,9
2400	106,4	29,6	50	213	284	355	426	391	456	521	586	652	717	782	11,1
	130,3	36,2	75	261	347	434	521	438	511	584	657	730	803	876	11,1
	150,5	41,8	100	301	401	502	602	473	552	631	710	789	868	947	11,1
	168,2	46,7	125	336	449	561	673	505	589	673	757	841	925	1009	11,1
	184,3	51,2	150	369	491	614	737	534	623	712	801	890	979	1068	11,1
	212,8	59,1	200	426	567	709	851	589	687	785	883	981	1079	1177	11,1
2700	121,2	33,7	50	242	323	404	485	441	514	588	661	735	808	881	12,3
	148,5	41,2	75	297	396	495	594	490	572	653	735	817	898	980	12,3
	171,5	47,6	100	343	457	572	686	527	615	703	791	879	967	1055	12,3
	191,7	53,2	125	383	511	639	767	562	656	750	844	933	1031	1125	12,3
	210	58,3	150	420	560	700	840	598	698	798	897	997	1097	1196	12,3
	242,5	67,4	200	485	647	808	970	667	779	890	1001	1112	1224	1335	12,3
3000	136,1	37,8	50	272	363	454	544	464	541	619	696	774	851	928	13,5
	166,7	46,3	75	333	444	556	667	509	594	679	764	849	934	1018	13,5
	192,5	53,5	100	385	513	642	770	556	649	742	835	927	1020	1113	13,5
	215,2	59,8	125	430	574	717	861	612	714	816	918	1020	1122	1224	13,5
	235,7	65,5	150	471	629	786	943	670	782	894	1006	1117	1229	1341	13,5
	272,2	75,6	200	544	726	907	1089	736	859	982	1104	1227	1350	1472	13,5

V<sub>Wn</sub> = 0.07 l/s corresponds to 250 l/h

## Ceiling induction diffuser DISA-300

### DISA-300-2-H-...-C Cooling

NL (mm)	V		P <sub>s</sub> (Pa)	Cooling capacity primary air (W) Δt <sub>Pr</sub> (K)				Cooling capacity water (W) Δt <sub>RWV</sub> (K)						Δp <sub>w</sub> (kPa)	
	(m <sup>3</sup> /h)	[l/s]		6	8	10	12	6	7	8	9	10	11		12
900	33,4	9,3	50	67	89	111	134	159	186	214	242	270	298	327	6,9
	40,9	11,4	75	82	109	136	164	185	217	249	282	315	348	382	6,9
	47,2	13,1	100	94	126	157	189	205	240	276	313	349	386	424	6,9
	52,8	14,7	125	106	141	176	211	221	259	298	337	377	417	458	6,9
	57,9	16,1	150	116	154	193	231	234	275	316	358	400	443	487	6,9
	66,8	18,6	200	134	178	223	267	256	301	346	392	439	486	533	6,9
1200	49,5	13,7	50	99	132	165	198	212	248	285	322	360	397	435	8,5
	60,6	16,8	75	121	162	202	242	241	283	325	367	410	453	497	8,5
	70	19,4	100	140	187	233	280	263	308	354	401	448	495	543	8,5
	78,2	21,7	125	156	209	261	313	281	329	379	428	479	529	581	8,5
	85,7	23,8	150	171	229	286	343	296	347	399	452	505	559	613	8,5
	99	27,5	200	198	264	330	396	320	375	432	489	547	605	664	8,5
1500	63,1	17,5	50	126	168	210	252	268	315	361	408	455	503	551	10,1
	77,3	21,5	75	155	206	258	309	305	358	411	464	518	573	628	10,1
	89,2	24,8	100	178	238	297	357	333	391	449	508	567	627	687	10,1
	99,8	27,7	125	200	266	333	399	356	418	481	544	608	672	737	10,1
	109,3	30,4	150	219	291	364	437	376	442	508	575	643	711	780	10,1
	126,2	35,1	200	252	337	421	505	406	476	548	620	693	767	842	10,1
1800	79,2	22	50	158	211	264	317	332	388	446	504	562	621	681	11,7
	97	26,9	75	194	259	323	388	374	439	504	570	636	703	771	11,7
	112	31,1	100	224	299	373	448	408	478	550	622	695	768	842	11,7
	125,2	34,8	125	250	334	417	501	437	513	589	667	745	824	904	11,7
	137,1	38,1	150	274	366	457	549	462	542	623	706	789	873	957	11,7
	158,4	44	200	317	422	528	633	494	580	667	755	845	935	1026	11,7
2100	92,8	25,8	50	186	247	309	371	384	450	516	583	651	719	788	13,3
	113,6	31,6	75	227	303	379	455	433	507	583	659	735	813	891	13,3
	131,2	36,4	100	262	350	437	525	474	555	638	722	806	891	978	13,3
	146,7	40,8	125	293	391	489	587	511	599	689	780	871	963	1057	13,3
	160,7	44,6	150	321	429	536	643	543	638	733	830	928	1027	1126	13,3
	185,6	51,5	200	371	495	619	742	578	678	780	883	987	1093	1200	13,3
2400	106,4	29,6	50	213	284	355	426	435	510	585	661	738	815	893	14,9
	130,3	36,2	75	261	347	434	521	487	571	656	741	827	914	1002	14,9
	150,5	41,8	100	301	401	502	602	531	623	716	810	904	1000	1096	14,9
	168,2	46,7	125	336	449	561	673	573	673	773	875	977	1081	1185	14,9
	184,3	51,2	150	369	491	614	737	611	717	825	933	1043	1154	1266	14,9
	212,8	59,1	200	426	567	709	851	652	765	880	996	1114	1233	1353	14,9
2700	121,2	33,7	50	242	323	404	485	487	571	655	740	826	913	1000	16,5
	148,5	41,2	75	297	396	495	594	542	636	730	825	921	1018	1115	16,5
	171,5	47,6	100	343	457	572	686	593	696	799	904	1009	1116	1223	16,5
	191,7	53,2	125	383	511	639	767	646	757	870	985	1100	1216	1334	16,5
	210	58,3	150	420	560	700	840	694	814	936	1059	1184	1310	1437	16,5
	242,5	67,4	200	485	647	808	970	733	861	990	1121	1253	1387	1522	16,5
3000	136,1	37,8	50	272	363	454	544	506	593	680	768	857	946	1036	18,1
	166,7	46,3	75	333	444	556	667	573	671	771	871	972	1074	1177	18,1
	192,5	53,5	100	385	513	642	770	656	769	883	998	1115	1233	1351	18,1
	215,2	59,8	125	430	574	717	861	731	858	986	1115	1246	1378	1512	18,1
	235,7	65,5	150	471	629	786	943	755	886	1018	1152	1288	1424	1563	18,1

V<sub>Wn</sub> = 0.07 l/s corresponds to 250 l/h

## Ceiling induction diffuser DISA-300

### DISA-300-2-HT-...-C Cooling

NL (mm)	V		P <sub>s</sub> (Pa)	Cooling capacity primary air (W) Δt <sub>Pr</sub> (K)				Cooling capacity water (W) Δt <sub>RWV</sub> (K)						ΔP <sub>w</sub> (kPa)	
	(m³/h)	[l/s]		6	8	10	12	6	7	8	9	10	11		12
900	33,4	9,3	50	67	89	111	134	156	182	208	234	260	286	312	5,1
	40,9	11,4	75	82	109	136	164	181	211	241	271	301	331	361	5,1
	47,2	13,1	100	94	126	157	189	199	233	266	299	332	366	399	5,1
	52,8	14,7	125	106	141	176	211	214	250	286	321	357	393	429	5,1
	57,9	16,1	150	116	154	193	231	227	265	302	340	378	416	453	5,1
	66,8	18,6	200	134	178	223	267	247	288	329	370	412	453	494	5,1
1200	49,5	13,7	50	99	132	165	198	208	243	277	312	347	381	416	6,3
	60,6	16,8	75	121	162	202	242	236	275	315	354	393	432	472	6,3
	70	19,4	100	140	187	233	280	257	299	342	385	428	470	513	6,3
	78,2	21,7	125	156	209	261	313	273	319	364	410	455	501	546	6,3
	85,7	23,8	150	171	229	286	343	287	335	383	431	479	527	575	6,3
	99	27,5	200	198	264	330	396	310	361	413	465	516	568	620	6,3
1500	63,1	17,5	50	126	168	210	252	264	307	351	395	439	483	527	7,5
	77,3	21,5	75	155	206	258	309	298	348	398	448	497	547	597	7,5
	89,2	24,8	100	178	238	297	357	325	379	433	487	542	596	650	7,5
	99,8	27,7	125	200	266	333	399	347	405	463	521	578	636	694	7,5
	109,3	30,4	150	219	291	364	437	366	427	488	549	610	671	732	7,5
	126,2	35,1	200	252	337	421	505	393	459	524	590	655	721	786	7,5
1800	79,2	22	50	158	211	264	317	325	380	434	488	542	596	651	8,7
	97	26,9	75	194	259	323	388	366	427	488	549	610	671	732	8,7
	112	31,1	100	224	299	373	448	398	464	531	597	663	730	796	8,7
	125,2	34,8	125	250	334	417	501	425	496	567	638	709	780	851	8,7
	137,1	38,1	150	274	366	457	549	449	524	598	673	748	823	897	8,7
	158,4	44	200	317	422	528	633	479	559	638	718	798	878	957	8,7
2100	92,8	25,8	50	186	247	309	371	377	439	502	565	628	691	753	9,9
	113,6	31,6	75	227	303	379	455	423	494	565	635	706	776	847	9,9
	131,2	36,4	100	262	350	437	525	462	539	616	693	770	847	924	9,9
	146,7	40,8	125	293	391	489	587	497	580	663	746	829	912	995	9,9
	160,7	44,6	150	321	429	536	643	528	616	704	792	880	968	1056	9,9
	185,6	51,5	200	371	495	619	742	560	653	747	840	933	1027	1120	9,9
2400	106,4	29,6	50	213	284	355	426	427	499	570	641	712	783	855	11,1
	130,3	36,2	75	261	347	434	521	477	556	636	715	795	874	954	11,1
	150,5	41,8	100	301	401	502	602	519	605	692	778	865	951	1038	11,1
	168,2	46,7	125	336	449	561	673	559	652	745	838	931	1024	1117	11,1
	184,3	51,2	150	369	491	614	737	594	693	792	892	991	1090	1189	11,1
	212,8	59,1	200	426	567	709	851	632	738	843	948	1054	1159	1264	11,1
2700	121,2	33,7	50	242	323	404	485	479	559	638	718	798	878	957	12,3
	148,5	41,2	75	297	396	495	594	531	620	708	797	885	974	1062	12,3
	171,5	47,6	100	343	457	572	686	580	676	773	869	966	1063	1159	12,3
	191,7	53,2	125	383	511	639	767	629	734	839	944	1048	1153	1258	12,3
	210	58,3	150	420	560	700	840	674	787	899	1012	1124	1236	1349	12,3
	242,5	67,4	200	485	647	808	970	712	830	949	1067	1186	1305	1423	12,3
3000	136,1	37,8	50	272	363	454	544	498	581	664	747	830	913	996	13,5
	166,7	46,3	75	333	444	556	667	562	656	749	843	937	1030	1124	13,5
	192,5	53,5	100	385	513	642	770	641	747	854	961	1068	1175	1281	13,5
	215,2	59,8	125	430	574	717	861	712	831	949	1068	1187	1305	1424	13,5
	235,7	65,5	150	471	629	786	943	735	857	979	1102	1224	1347	1469	13,5

V<sub>Wn</sub> = 0.07 l/s corresponds to 250 l/h

## Ceiling induction diffuser DISA-300

### DISA-300-1-H-...-D Cooling

NL (mm)	V		P <sub>s</sub> (Pa)	Cooling capacity primary air (W) Δt <sub>Pr</sub> (K)				Cooling capacity water (W) Δt <sub>RWV</sub> (K)						Δp <sub>w</sub> (kPa)	
	(m <sup>3</sup> /h)	[l/s]		6	8	10	12	6	7	8	9	10	11		12
900	50,2	13,9	50	100	134	167	201	137	160	184	207	231	256	280	6,9
	61,4	17,1	75	123	164	205	246	170	199	229	259	289	319	350	6,9
	71	19,7	100	142	189	237	284	196	230	264	299	334	369	405	6,9
	79,3	22	125	159	212	264	317	217	255	293	332	371	410	450	6,9
	86,9	24,1	150	174	232	290	348	235	276	317	359	402	445	488	6,9
	100,3	27,9	200	201	268	334	401	264	310	357	405	453	502	551	6,9
1200	74,3	20,6	50	149	198	248	297	187	219	251	284	317	350	383	8,5
	91	25,3	75	182	243	303	364	225	264	303	343	383	423	464	8,5
	105,1	29,2	100	210	280	350	420	254	298	342	387	433	478	524	8,5
	117,5	32,6	125	235	313	392	470	278	326	374	424	473	524	574	8,5
	128,7	35,8	150	257	343	429	515	298	350	402	455	508	563	617	8,5
	148,7	41,3	200	297	396	496	595	329	386	444	503	562	622	683	8,5
1500	94,8	26,3	50	190	253	316	379	236	276	317	358	399	440	482	10,1
	116,1	32,2	75	232	310	387	464	283	332	381	431	481	532	582	10,1
	134	37,2	100	268	357	447	536	320	375	431	487	544	601	659	10,1
	149,8	41,6	125	300	400	499	599	350	411	472	534	597	660	724	10,1
	164,2	45,6	150	328	438	547	657	377	442	509	576	643	712	781	10,1
	189,5	52,7	200	379	505	632	758	412	484	557	630	705	780	857	10,1
1800	118,9	33	50	238	317	396	476	294	344	394	446	497	549	601	11,7
	145,7	40,7	75	291	388	486	583	350	410	471	532	594	656	719	11,7
	168,2	46,7	100	336	449	561	673	393	461	529	598	668	739	810	11,7
	188	52,2	125	376	501	627	752	430	505	580	656	733	811	890	11,7
	206	57,2	150	412	549	687	824	464	544	626	708	791	876	961	11,7
	237,9	66,1	200	476	634	793	951	497	583	671	759	849	940	1032	11,7
2100	139,4	38,7	50	279	372	465	557	340	398	457	516	575	635	696	13,3
	170,7	47,4	75	341	455	569	683	403	472	542	613	684	756	828	13,3
	197,1	54,8	100	394	526	657	788	453	531	610	690	771	852	934	13,3
	220,4	61,2	125	441	588	735	881	500	587	675	763	852	943	1034	13,3
	241,4	67,2	150	483	644	805	966	544	638	734	830	928	1027	1127	13,3
	278,7	77,4	200	557	743	929	1115	572	672	773	875	978	1082	1188	13,3
2400	159,8	44,4	50	320	426	533	639	387	453	519	586	654	722	791	14,9
	195,7	54,4	75	391	522	652	783	454	533	611	691	771	852	933	14,9
	226	62,8	100	452	603	753	904	508	595	684	773	863	954	1046	14,9
	252,7	70,2	125	505	674	842	1011	560	656	754	853	953	1054	1156	14,9
	276,8	76,9	150	554	738	923	1107	610	716	823	931	1040	1151	1263	14,9
	319,6	88,8	200	639	852	1065	1278	646	758	872	987	1103	1221	1340	14,9
2700	182,1	50,6	50	364	486	607	728	437	511	587	662	739	816	893	16,5
	223	62	75	446	595	743	892	507	595	683	771	861	951	1042	16,5
	257,5	71,5	100	515	687	858	1030	565	663	761	861	961	1062	1164	16,5
	287,9	80	125	576	768	960	1152	628	737	847	958	1070	1183	1297	16,5
	315,4	87,6	150	631	841	1051	1262	692	812	934	1057	1181	1306	1433	16,5
	364,2	101,2	200	728	971	1214	1457	712	836	962	1088	1216	1346	1477	16,5
3000	204,4	56,8	50	409	545	681	818	461	540	620	700	780	861	943	18,1
	250,4	69,5	75	501	668	835	1001	527	617	708	800	893	986	1080	18,1
	289,1	80,3	100	578	771	964	1156	609	714	820	927	1035	1143	1253	18,1
	323,2	89,8	125	646	862	1077	1293	709	832	956	1081	1208	1336	1465	18,1
	354	98,3	150	708	944	1180	1416	756	887	1019	1153	1289	1426	1564	18,1

V<sub>Wn</sub> = 0.07 l/s corresponds to 250 l/h

## Ceiling induction diffuser DISA-300

### DISA-300-1-HT-...-D Cooling

NL (mm)	V		P <sub>s</sub> (Pa)	Cooling capacity primary air (W) Δt <sub>Pr</sub> (K)				Cooling capacity water (W) Δt <sub>RWV</sub> (K)						ΔP <sub>w</sub> (kPa)	
	(m³/h)	[l/s]		6	8	10	12	6	7	8	9	10	11		12
900	50,2	13,9	50	100	134	167	201	135	157	179	202	224	247	269	5,1
	61,4	17,1	75	123	164	205	246	166	194	222	250	277	305	333	5,1
	71	19,7	100	142	189	237	284	191	223	255	287	318	350	382	5,1
	79,3	22	125	159	212	264	317	211	246	281	316	351	387	422	5,1
	86,9	24,1	150	174	232	290	348	228	265	303	341	379	417	455	5,1
	100,3	27,9	200	201	268	334	401	255	297	339	382	424	467	509	5,1
1200	74,3	20,6	50	149	198	248	297	184	215	246	276	307	338	368	6,3
	91	25,3	75	182	243	303	364	221	258	295	331	368	405	442	6,3
	105,1	29,2	100	210	280	350	420	248	290	331	372	414	455	496	6,3
	117,5	32,6	125	235	313	392	470	270	315	361	406	451	496	541	6,3
	128,7	35,8	150	257	343	429	515	289	338	386	434	482	530	579	6,3
	148,7	41,3	200	297	396	496	595	318	371	424	477	530	583	636	6,3
1500	94,8	26,3	50	190	253	316	379	232	271	309	348	387	425	464	7,5
	116,1	32,2	75	232	310	387	464	278	324	370	417	463	509	556	7,5
	134	37,2	100	268	357	447	536	312	364	416	468	521	573	625	7,5
	149,8	41,6	125	300	400	499	599	341	398	455	512	569	626	682	7,5
	164,2	45,6	150	328	438	547	657	366	427	488	549	611	672	733	7,5
	189,5	52,7	200	379	505	632	758	399	466	532	599	665	732	798	7,5
1800	118,9	33	50	238	317	396	476	289	337	385	433	482	530	578	8,7
	145,7	40,5	75	291	388	486	583	343	400	457	514	571	628	686	8,7
	168,2	46,7	100	336	449	561	673	384	447	511	575	639	703	767	8,7
	188	52,2	125	376	501	627	752	419	489	559	628	698	768	838	8,7
	206	57,2	150	412	549	687	824	450	525	600	675	750	825	900	8,7
	237,9	66,1	200	476	634	793	951	481	561	642	722	802	882	962	8,7
2100	139,4	38,7	50	279	372	465	557	335	390	446	502	558	613	669	9,9
	170,7	47,4	75	341	455	569	683	395	461	527	593	658	724	790	9,9
	197,1	54,8	100	394	526	657	788	443	516	590	664	738	812	885	9,9
	220,4	61,2	125	441	588	735	881	487	569	650	731	812	893	975	9,9
	241,4	67,2	150	483	644	805	966	528	616	704	792	880	968	1056	9,9
	278,7	77,4	200	557	743	929	1115	555	647	740	832	925	1017	1110	9,9
2400	159,8	44,4	50	320	426	533	639	381	444	508	571	634	698	761	11,1
	195,7	54,4	75	391	522	652	783	446	520	594	669	743	817	892	11,1
	226	62,8	100	452	603	753	904	496	579	662	745	827	910	993	11,1
	252,7	70,2	125	505	674	842	1011	546	637	728	818	909	1000	1091	11,1
	276,8	76,9	150	554	738	923	1107	593	692	791	889	988	1087	1186	11,1
	319,6	88,8	200	639	852	1065	1278	627	731	835	940	1044	1149	1253	11,1
2700	182,1	50,6	50	364	486	607	728	430	502	573	645	717	788	860	12,3
	223	62	75	446	595	743	892	498	581	664	747	830	913	996	12,3
	257,5	71,5	100	515	687	858	1030	553	645	737	830	922	1014	1106	12,3
	287,9	80	125	576	768	960	1152	613	715	817	919	1021	1123	1225	12,3
	315,4	87,6	150	631	841	1051	1262	673	785	897	1009	1121	1233	1346	12,3
	364,2	101,2	200	728	971	1214	1457	692	807	923	1038	1153	1269	1384	12,3
3000	204,4	56,8	50	409	545	681	818	455	531	607	682	758	834	910	13,5
	250,4	69,5	75	501	668	835	1001	518	604	691	777	863	950	1036	13,5
	289,1	80,3	100	578	771	964	1156	597	696	795	895	994	1094	1193	13,5
	323,2	89,8	125	646	862	1077	1293	691	806	922	1037	1152	1267	1383	13,5
	354	98,3	150	708	944	1180	1416	735	858	980	1103	1225	1348	1470	13,5

V<sub>Wn</sub> = 0.07 l/s corresponds to 250 l/h



## Ceiling induction diffuser DISA-300

### DISA-300-2-H-...-D Cooling

NL (mm)	V		P <sub>s</sub> (Pa)	Cooling capacity primary air (W) Δt <sub>pr</sub> (K)				Cooling capacity water (W) Δt <sub>rwv</sub> (K)						Δp <sub>w</sub> (kPa)	
	(m <sup>3</sup> /h)	[l/s]		6	8	10	12	6	7	8	9	10	11		12
900	50,2	13,9	50	100	134	167	201	158	185	212	240	268	296	324	6,9
	61,4	17,1	75	123	164	205	246	194	227	261	295	330	365	400	6,9
	71	19,7	100	142	189	237	284	221	259	298	337	377	417	458	6,9
	79,3	22	125	159	212	264	317	242	285	328	371	415	460	505	6,9
	86,9	24,1	150	174	232	290	348	261	307	353	400	447	496	545	6,9
	100,3	27,9	200	201	268	334	401	292	343	395	448	502	556	612	6,9
1200	74,3	20,6	50	149	198	248	297	212	248	285	322	359	397	435	8,5
	91	25,3	75	182	243	303	364	251	295	339	383	428	473	518	8,5
	105,1	29,2	100	210	280	350	420	282	330	380	430	480	531	583	8,5
	117,5	32,6	125	235	313	392	470	306	360	414	468	523	579	636	8,5
	128,7	35,8	150	257	343	429	515	326	382	440	498	557	617	677	8,5
	148,7	41,3	200	297	396	496	595	337	395	455	515	576	638	700	8,5
1500	94,8	26,3	50	190	253	316	379	266	312	358	405	452	499	546	10,1
	116,1	32,2	75	232	310	387	464	316	371	426	482	538	594	652	10,1
	134	37,2	100	268	357	447	536	356	417	479	542	606	670	735	10,1
	149,8	41,6	125	300	400	499	599	388	455	524	593	663	733	805	10,1
	164,2	45,6	150	328	438	547	657	410	481	554	627	701	776	852	10,1
1800	118,9	33	50	238	317	396	476	330	386	444	501	559	618	677	11,7
	145,7	45	75	291	388	486	583	388	456	523	592	661	731	801	11,7
	168,2	46,7	100	336	449	561	673	437	512	589	666	745	824	904	11,7
	188	52,2	125	376	501	627	752	477	560	644	729	814	901	989	11,7
	206	57,2	150	412	549	687	824	497	583	671	760	849	940	1032	11,7
2100	139,4	38,7	50	279	372	465	557	380	446	512	578	645	713	781	13,3
	170,7	47,4	75	341	455	569	683	448	525	603	682	762	842	923	13,3
	197,1	54,8	100	394	526	657	788	509	597	686	776	867	959	1052	13,3
	220,4	61,2	125	441	588	735	881	560	658	756	856	957	1059	1162	13,3
	241,4	67,1	150	483	644	805	966	576	677	778	881	985	1090	1197	13,3
2400	159,8	44,4	50	320	426	533	639	431	504	579	654	730	806	883	14,9
	195,7	54,4	75	391	522	652	783	502	589	676	764	854	943	1037	14,9
	226	62,8	100	452	603	753	904	569	668	767	868	970	1073	1176	14,9
	252,7	70,2	125	505	674	842	1011	630	739	850	962	1075	1190	1306	14,9
	276,8	76,9	150	554	738	923	1107	650	764	878	994	1111	1230	1350	14,9
2700	182,1	50,6	50	364	486	607	728	483	565	649	733	818	904	990	16,5
	223	62	75	446	595	743	892	559	656	753	851	950	1050	1151	16,5
	257,5	71,5	100	515	687	858	1030	640	751	863	977	1091	1207	1323	16,5
	287,9	80	125	576	768	960	1152	716	841	967	1094	1223	1354	1485	16,5
	315,4	87,6	150	631	841	1051	1262	725	851	979	1108	1239	1371	1505	16,5
3000	204,4	56,8	50	409	545	681	818	501	587	674	761	849	937	1027	18,1
	250,4	69,5	75	501	668	835	1001	599	702	806	911	1017	1124	1232	18,1
	289,1	80,3	100	578	771	964	1156	725	850	977	1106	1235	1366	1498	18,1
	323,2	89,8	125	646	862	1077	1293	724	850	976	1104	1234	1365	1497	18,1

V<sub>Wh</sub> = 0.07 l/s corresponds to 250 l/h

## Ceiling induction diffuser DISA-300

### DISA-300-2-HT-...-D Cooling

NL (mm)	V		P <sub>s</sub> (Pa)	Cooling capacity primary air (W) Δt <sub>Pr</sub> (K)				Cooling capacity water (W) Δt <sub>RWV</sub> (K)						ΔP <sub>w</sub> (kPa)	
	(m³/h)	[l/s]		6	8	10	12	6	7	8	9	10	11		12
900	50,2	13,9	50	100	134	167	201	155	181	206	232	258	284	310	5,1
	61,4	17,1	75	123	164	205	246	189	220	252	283	314	346	377	5,1
	71	19,7	100	142	189	237	284	214	250	286	321	357	393	428	5,1
	79,3	22	125	159	212	264	317	235	274	313	352	391	430	469	5,1
	86,9	24,1	150	174	232	290	348	252	294	336	377	419	461	503	5,1
	100,3	27,9	200	201	268	334	401	280	327	373	420	467	513	560	5,1
1200	74,3	20,6	50	149	198	248	297	208	242	277	312	346	381	416	6,3
	91	25,3	75	182	243	303	364	246	287	327	368	409	450	491	6,3
	105,1	29,2	100	210	280	350	420	274	320	365	411	457	502	548	6,3
	117,5	32,6	125	235	313	392	470	297	347	396	446	495	545	595	6,3
	128,7	35,8	150	257	343	429	515	315	368	420	473	526	578	631	6,3
	148,7	41,3	200	297	396	496	595	325	380	434	488	542	597	651	6,3
1500	94,8	26,3	50	190	253	316	379	261	305	349	392	436	479	523	7,5
	116,1	32,2	75	232	310	387	464	309	360	412	463	515	566	618	7,5
	134	37,2	100	268	357	447	536	346	404	462	519	577	635	692	7,5
	149,8	41,6	125	300	400	499	599	377	439	502	565	628	690	753	7,5
	164,2	45,6	150	328	438	547	657	397	463	529	596	662	728	794	7,5
	189,5	52,7	200	379	505	632	758	375	437	500	562	625	687	750	7,5
1800	118,9	33	50	238	317	396	476	324	378	432	485	539	593	647	8,7
	145,7	40,5	75	291	388	486	583	380	443	506	569	633	696	759	8,7
	168,2	46,7	100	336	449	561	673	425	496	567	638	708	779	850	8,7
	188	52,2	125	376	501	627	752	463	540	617	694	771	848	925	8,7
	206	57,2	150	412	549	687	824	481	561	642	722	802	882	962	8,7
2100	139,4	38,7	50	279	372	465	557	374	436	498	560	623	685	747	9,9
	170,7	47,4	75	341	455	569	683	438	511	584	657	730	803	876	9,9
	197,1	54,8	100	394	526	657	788	495	578	660	743	826	908	991	9,9
	220,4	61,2	125	441	588	735	881	544	634	725	815	906	997	1087	9,9
	241,4	67,1	150	483	644	805	966	559	652	745	838	931	1024	1117	9,9
2400	159,8	44,4	50	320	426	533	639	423	493	564	634	705	775	846	11,1
	185,7	54,4	75	391	522	652	783	491	573	655	737	819	901	983	11,1
	226	62,8	100	452	603	753	904	555	647	740	832	925	1017	1110	11,1
	252,7	70,2	125	505	674	842	1011	612	714	815	917	1019	1121	1223	11,1
	276,8	76,9	150	554	738	923	1107	631	736	841	946	1051	1157	1262	11,1
2700	182,1	50,6	50	364	486	607	728	474	553	632	711	790	869	948	12,3
	223	62	75	446	595	743	892	547	638	730	821	912	1003	1094	12,3
	257,5	71,5	100	515	687	858	1030	624	728	832	936	1040	1144	1249	12,3
	287,9	80	125	576	768	960	1152	696	812	927	1043	1159	1275	1391	12,3
	315,4	87,6	150	631	841	1051	1262	704	821	939	1056	1173	1291	1408	12,3
3000	204,4	56,8	50	409	545	681	818	493	576	658	740	822	905	987	13,5
	250,4	69,5	75	501	668	835	1001	587	685	783	881	978	1076	1174	13,5
	289,1	80,3	100	578	771	964	1156	706	824	942	1059	1177	1295	1412	13,5

V<sub>Wn</sub> = 0.07 l/s corresponds to 250 l/h

## Ceiling induction diffuser DISA-300

### DISA-300-1-H-...-A Heating

NL (mm)	V		P <sub>s</sub> (Pa)	Heating capacity water (W)							Δp <sub>w</sub> (kPa)
	(m <sup>3</sup> /h)	[l/s]		Δt <sub>rwv</sub> (K)							
				16	18	20	22	24	26	28	
900	10,6	2,9	50	157	178	198	219	240	261	282	2,7
	13	3,6	75	195	221	246	272	298	325	352	2,7
	15	4,2	100	227	256	287	317	348	379	410	2,7
	16,7	4,6	125	254	288	322	356	391	426	462	2,7
	18,3	5,1	150	279	316	353	391	430	469	508	2,7
	21,2	5,9	200	321	364	408	452	497	543	589	2,7
1200	15,7	4,4	50	227	256	286	316	346	376	407	3,4
	19,2	5,3	75	278	315	351	388	426	464	502	3,4
	22,2	6,2	100	320	362	405	448	491	535	580	3,4
	24,8	6,9	125	356	403	450	498	547	596	646	3,4
	27,2	7,5	150	387	438	490	543	596	650	705	3,4
	31,4	8,7	200	438	497	557	617	678	740	803	3,4
1500	20	5,6	50	289	326	364	402	441	480	519	4,1
	24,5	6,8	75	354	400	447	494	542	590	639	4,1
	28,3	7,9	100	407	460	514	569	624	680	736	4,1
	31,6	8,8	125	451	511	571	632	694	756	820	4,1
	34,6	9,6	150	489	554	620	687	754	823	892	4,1
	40	11,1	200	553	627	702	779	856	934	1013	4,1
1800	25,1	7	50	361	408	456	503	551	600	649	4,7
	30,7	8,5	75	443	501	559	618	678	738	799	4,7
	35,5	9,9	100	508	575	643	711	780	850	921	4,7
	39,7	11	125	563	637	713	789	866	944	1023	4,7
	43,5	12,1	150	610	691	773	856	940	1025	1112	4,7
	50,2	13,9	200	687	778	872	966	1062	1159	1258	4,7
2100	29,4	8,2	50	424	479	535	591	647	704	761	5,4
	36	10	75	519	586	655	724	794	865	936	5,4
	41,6	11,6	100	594	672	751	831	912	994	1077	5,4
	46,5	12,9	125	657	744	831	920	1011	1102	1194	5,4
	50,9	14,1	150	710	804	900	996	1094	1193	1294	5,4
	58,8	16,3	200	796	902	1010	1119	1230	1343	1457	5,4
2400	33,7	9,4	50	484	547	610	674	739	803	869	6,0
	41,3	11,5	75	593	670	749	828	908	988	1070	6,0
	47,7	13,2	100	679	769	859	951	1043	1136	1231	6,0
	53,3	14,8	125	751	850	950	1052	1155	1259	1364	6,0
	58,4	16,2	150	811	919	1028	1138	1250	1363	1478	6,0
	67,4	18,7	200	907	1028	1151	1276	1402	1530	1660	6,0
2700	38,4	10,7	50	550	621	693	766	839	913	987	6,7
	47,1	13,1	75	674	762	851	941	1032	1123	1216	6,7
	54,3	15,1	100	772	873	976	1080	1185	1291	1398	6,7
	60,7	16,9	125	852	964	1078	1194	1310	1428	1548	6,7
	66,5	18,5	150	918	1040	1163	1288	1415	1543	1673	6,7
	76,8	21,3	200	1022	1158	1297	1437	1579	1723	1869	6,7
3000	43,1	12	50	608	686	766	846	927	1008	1091	7,3
	52,8	14,7	75	741	837	935	1034	1134	1234	1336	7,3
	61	16,9	100	841	952	1064	1177	1291	1406	1523	7,3
	68,2	18,9	125	919	1041	1163	1288	1413	1540	1669	7,3
	74,7	20,7	150	981	1111	1242	1375	1510	1646	1784	7,3
	86,2	24	200	1069	1211	1355	1501	1649	1799	1950	7,3

V<sub>Wh</sub> = 0.0416 l/s corresponds to 250 l/h

## Ceiling induction diffuser DISA-300

### DISA-300-1-HT-...-A Heating

NL (mm)	V		P <sub>s</sub> (Pa)	Heating capacity water (W)							Δp <sub>w</sub> (kPa)
	(m <sup>3</sup> /h)	[l/s]		Δt <sub>RWV</sub> (K)							
				16	18	20	22	24	26	28	
900	10,6	2,9	50	124	140	155	171	186	202	217	0,6
	13	3,6	75	153	172	191	210	229	248	267	0,6
	15	4,2	100	176	198	220	242	265	287	309	0,6
	16,7	4,6	125	197	221	246	270	295	320	344	0,6
	18,3	5,1	150	215	242	268	295	322	349	376	0,6
	21,2	5,9	200	246	276	307	338	368	399	430	0,6
1200	15,7	4,4	50	181	203	226	248	271	293	316	0,8
	19,2	5,3	75	220	247	275	302	330	357	385	0,8
	22,2	6,2	100	252	283	314	346	377	409	440	0,8
	24,8	6,9	125	278	313	348	382	417	452	487	0,8
	27,2	7,5	150	301	339	376	414	451	489	527	0,8
	31,4	8,7	200	339	381	424	466	508	551	593	0,8
1500	20	5,6	50	231	260	289	318	347	376	405	0,9
	24,5	6,8	75	281	317	352	387	422	457	492	0,9
	28,3	7,9	100	321	361	402	442	482	522	562	0,9
	31,6	8,8	125	355	399	443	488	532	576	621	0,9
	34,6	9,6	150	383	431	479	527	575	623	671	0,9
	40	11,1	200	430	484	538	592	646	700	753	0,9
1800	25,1	7	50	290	327	363	399	435	472	508	1,1
	30,7	8,5	75	353	397	441	485	529	574	618	1,1
	35,5	9,9	100	403	453	503	554	604	654	705	1,1
	39,7	11	125	444	499	555	610	666	721	777	1,1
	43,5	12,1	150	479	539	599	658	718	778	838	1,1
	50,2	13,9	200	536	603	670	737	804	871	937	1,1
2100	29,4	8,2	50	343	385	428	471	514	557	599	1,3
	36	10	75	416	468	520	572	624	676	728	1,3
	41,6	11,6	100	474	533	592	651	711	770	829	1,3
	46,5	12,9	125	521	586	651	716	782	847	912	1,3
	50,9	14,1	150	561	631	701	771	842	912	982	1,3
	58,8	16,3	200	625	703	781	859	937	1016	1094	1,3
2400	33,7	9,4	50	394	444	493	542	591	641	690	1,4
	41,3	11,5	75	479	539	599	659	719	779	839	1,4
	47,7	13,2	100	546	614	683	751	819	888	956	1,4
	53,3	14,8	125	601	676	751	826	901	976	1051	1,4
	58,4	16,2	150	646	727	808	889	969	1050	1131	1,4
	67,4	18,7	200	718	808	898	988	1078	1168	1257	1,4
2700	38,4	10,7	50	450	506	563	619	675	731	788	1,6
	47,1	13,1	75	548	616	684	753	821	890	958	1,6
	54,3	15,1	100	624	701	779	857	935	1013	1091	1,6
	60,7	16,9	125	685	770	856	942	1027	1113	1199	1,6
	66,5	18,5	150	736	827	919	1011	1103	1195	1287	1,6
	76,8	21,3	200	814	916	1017	1119	1221	1322	1424	1,6
3000	43,1	12	50	500	563	625	688	750	813	875	1,7
	52,8	14,7	75	605	681	757	832	908	984	1059	1,7
	61	16,9	100	684	769	855	940	1026	1111	1197	1,7
	68,2	18,9	125	744	837	930	1023	1117	1210	1303	1,7
	74,7	20,7	150	792	890	989	1088	1187	1286	1385	1,7
	86,2	24	200	859	966	1073	1181	1288	1395	1503	1,7

V<sub>Wn</sub> = 0.0416 l/s corresponds to 250 l/h

## Ceiling induction diffuser DISA-300

### DISA-300-2-H -...-A Heating

NL (mm)	V		P <sub>s</sub> (Pa)	Heating capacity water (W)							Δp <sub>w</sub> (kPa)
	(m <sup>3</sup> /h)	[l/s]		Δt <sub>rwv</sub> (K)							
				16	18	20	22	24	26	28	
900	10,6	2,9	50	180	203	227	251	275	299	324	2,7
	13	3,6	75	222	252	281	311	341	372	403	2,7
	15	4,2	100	258	292	326	361	397	433	469	2,7
	16,7	4,6	125	288	327	366	405	445	485	526	2,7
	18,3	5,1	150	316	358	401	444	488	533	578	2,7
	21,2	5,9	200	362	411	461	511	562	614	667	2,7
1200	15,7	4,4	50	258	291	325	360	394	429	464	3,4
	19,2	5,3	75	315	356	398	440	483	526	570	3,4
	22,2	6,2	100	360	408	456	505	555	605	655	3,4
	24,8	6,9	125	399	452	505	560	615	671	727	3,4
	27,2	7,5	150	432	489	548	607	667	728	790	3,4
	31,4	8,7	200	486	552	618	685	754	824	894	3,4
1500	20	5,6	50	328	371	414	458	502	546	591	4,1
	24,5	6,8	75	400	452	506	559	613	668	724	4,1
	28,3	7,9	100	457	517	578	640	703	766	831	4,1
	31,6	8,8	125	504	571	639	708	778	849	920	4,1
	34,6	9,6	150	545	618	692	766	842	919	997	4,1
	40	11,1	200	612	694	777	862	948	1036	1124	4,1
1800	25,1	7	50	410	464	518	573	628	683	739	4,7
	30,7	8,5	75	500	565	632	699	767	836	905	4,7
	35,5	9,9	100	570	645	722	799	877	957	1037	4,7
	39,7	11	125	628	711	796	882	969	1057	1146	4,7
	43,5	12,1	150	676	767	859	952	1046	1142	1239	4,7
	50,2	13,9	200	755	857	960	1065	1171	1279	1389	4,7
2100	29,4	8,2	50	481	544	607	671	736	801	867	5,4
	36	10	75	584	661	739	818	897	977	1058	5,4
	41,6	11,6	100	665	753	842	932	1023	1116	1209	5,4
	46,5	12,9	125	730	827	926	1025	1126	1229	1332	5,4
	50,9	14,1	150	785	889	996	1103	1213	1323	1436	5,4
	58,8	16,3	200	871	988	1107	1228	1350	1474	1601	5,4
2400	33,7	9,4	50	550	622	694	767	841	915	990	6,0
	41,3	11,5	75	668	756	845	935	1026	1117	1210	6,0
	47,7	13,2	100	760	861	962	1065	1170	1275	1382	6,0
	53,3	14,8	125	834	945	1057	1171	1286	1403	1521	6,0
	58,4	16,2	150	895	1014	1135	1258	1382	1508	1636	6,0
	67,4	18,7	200	989	1122	1257	1394	1533	1674	1817	6,0
2700	38,4	10,7	50	625	707	789	872	956	1040	1126	6,7
	47,1	13,1	75	759	859	960	1062	1165	1270	1375	6,7
	54,3	15,1	100	862	976	1091	1208	1326	1446	1567	6,7
	60,7	16,9	125	943	1068	1195	1324	1455	1587	1720	6,7
	66,5	18,5	150	1009	1143	1280	1418	1558	1700	1844	6,7
	76,8	21,3	200	1108	1256	1407	1560	1715	1873	2033	6,7
3000	43,1	12	50	689	779	869	961	1053	1146	1240	7,3
	52,8	14,7	75	829	938	1048	1159	1271	1385	1500	7,3
	61	16,9	100	929	1052	1176	1302	1429	1557	1687	7,3
	68,2	18,9	125	1003	1136	1271	1407	1545	1685	1826	7,3
	74,7	20,7	150	1058	1199	1341	1486	1632	1780	1930	7,3
	86,2	24	200	1134	1285	1439	1595	1752	1912	2074	7,3

V<sub>Wh</sub> = 0.0416 l/s corresponds to 250 l/h

## Ceiling induction diffuser DISA-300

### DISA-300-2-HT-...-A Heating

NL (mm)	V		P <sub>s</sub> (Pa)	Heating capacity water (W)							Δp <sub>w</sub> (kPa)
	(m <sup>3</sup> /h)	[l/s]		Δt <sub>rwv</sub> (K)							
				16	18	20	22	24	26	28	
900	10,6	2,9	50	141	159	177	194	212	230	247	0,6
	13	3,6	75	173	195	217	238	260	282	303	0,6
	15	4,2	100	199	224	249	274	299	324	349	0,6
	16,7	4,6	125	222	250	277	305	333	360	388	0,6
	18,3	5,1	150	241	272	302	332	362	392	423	0,6
	21,2	5,9	200	275	309	343	378	412	447	481	0,6
1200	15,7	4,4	50	204	230	255	281	307	332	358	0,8
	19,2	5,3	75	247	278	309	340	371	402	433	0,8
	22,2	6,2	100	282	317	352	387	422	457	493	0,8
	24,8	6,9	125	310	349	387	426	465	503	542	0,8
	27,2	7,5	150	334	376	417	459	501	543	584	0,8
	31,4	8,7	200	374	420	467	514	560	607	654	0,8
1500	20	5,6	50	262	294	327	360	392	425	458	0,9
	24,5	6,8	75	316	356	395	435	474	514	553	0,9
	28,3	7,9	100	359	404	449	494	539	583	628	0,9
	31,6	8,8	125	394	444	493	542	592	641	690	0,9
	34,6	9,6	150	424	477	530	583	636	689	743	0,9
	40	11,1	200	473	532	591	650	709	769	828	0,9
1800	25,1	7	50	328	369	410	451	492	533	574	1,1
	30,7	8,5	75	396	446	495	545	594	644	693	1,1
	35,5	9,9	100	449	505	562	618	674	730	786	1,1
	39,7	11	125	492	554	615	677	738	800	862	1,1
	43,5	12,1	150	528	594	660	726	792	859	925	1,1
	50,2	13,9	200	586	659	732	805	879	952	1025	1,1
2100	29,4	8,2	50	387	435	484	532	581	629	677	1,3
	36	10	75	466	525	583	641	699	758	816	1,3
	41,6	11,6	100	527	593	659	725	791	857	923	1,3
	46,5	12,9	125	576	648	720	792	864	936	1008	1,3
	50,9	14,1	150	617	694	771	848	925	1002	1079	1,3
	58,8	16,3	200	680	765	851	936	1021	1106	1191	1,3
2400	33,7	9,4	50	446	502	558	613	669	725	781	1,4
	41,3	11,5	75	538	605	672	739	807	874	941	1,4
	47,7	13,2	100	608	684	760	836	912	988	1064	1,4
	53,3	14,8	125	664	747	830	912	995	1078	1161	1,4
	58,4	16,2	150	709	798	887	975	1064	1153	1241	1,4
	67,4	18,7	200	780	877	975	1072	1169	1267	1364	1,4
2700	38,4	10,7	50	509	573	637	700	764	828	891	1,6
	47,1	13,1	75	614	691	767	844	921	998	1074	1,6
	54,3	15,1	100	693	779	866	953	1039	1126	1212	1,6
	60,7	16,9	125	755	849	943	1037	1132	1226	1320	1,6
	66,5	18,5	150	804	904	1005	1105	1206	1306	1407	1,6
	76,8	21,3	200	878	988	1097	1207	1317	1427	1536	1,6
3000	43,1	12	50	565	635	706	776	847	917	988	1,7
	52,8	14,7	75	674	758	843	927	1011	1095	1180	1,7
	61	16,9	100	752	846	940	1034	1128	1222	1316	1,7
	68,2	18,9	125	809	910	1011	1112	1213	1314	1415	1,7
	74,7	20,7	150	851	957	1063	1170	1276	1382	1489	1,7
	86,2	24	200	908	1022	1135	1249	1362	1476	1590	1,7

V<sub>Wn</sub> = 0.0416 l/s corresponds to 250 l/h

## Ceiling induction diffuser DISA-300

### DISA-300-1-H-...-B Heating

NL (mm)	V		P <sub>s</sub> (Pa)	Heating capacity water (W)							Δp <sub>w</sub> (kPa)
	(m <sup>3</sup> /h)	[l/s]		Δt <sub>rwv</sub> (K)							
				16	18	20	22	24	26	28	
900	18,1	5	50	261	296	331	366	402	439	475	2,7
	22,2	6,2	75	305	345	386	428	471	514	557	2,7
	25,7	7,1	100	338	384	430	477	524	572	621	2,7
	28,7	8	125	366	416	466	517	569	621	675	2,7
	31,4	8,7	150	390	443	497	551	607	663	721	2,7
	36,3	10,1	200	429	488	548	608	670	733	797	2,7
1200	26,9	7,5	50	364	412	461	510	560	611	662	3,4
	32,9	9,1	75	417	473	529	587	645	703	763	3,4
	38	10,6	100	457	519	581	644	708	773	839	3,4
	42,5	11,8	125	490	556	623	691	760	830	901	3,4
	46,6	12,9	150	516	586	657	729	802	877	952	3,4
	53,8	14,9	200	559	635	713	791	871	952	1035	3,4
1500	34,3	9,5	50	465	526	588	651	715	780	845	4,1
	42	11,7	75	531	602	674	747	820	895	971	4,1
	48,5	13,5	100	581	658	737	817	899	981	1065	4,1
	54,2	15,1	125	620	703	788	874	961	1050	1140	4,1
	59,4	16,5	150	652	741	830	921	1013	1107	1203	4,1
	68,5	19	200	705	800	897	996	1097	1199	1303	4,1
1800	43	11,9	50	576	652	730	808	887	967	1049	4,7
	52,7	14,6	75	656	744	833	923	1014	1107	1200	4,7
	60,8	16,9	100	715	811	908	1007	1107	1209	1312	4,7
	68	18,9	125	761	863	967	1073	1180	1289	1400	4,7
	74,5	20,7	150	798	906	1015	1127	1240	1355	1471	4,7
	86	23,9	200	857	974	1092	1212	1335	1459	1586	4,7
2100	50,4	14	50	675	764	855	946	1039	1133	1228	5,4
	61,7	17,1	75	765	867	971	1076	1182	1290	1399	5,4
	71,3	19,8	100	830	942	1054	1169	1285	1403	1523	5,4
	79,7	22,1	125	881	999	1119	1241	1365	1491	1619	5,4
	87,3	24,2	150	921	1045	1172	1300	1430	1563	1697	5,4
	100,8	28	200	986	1119	1255	1393	1533	1676	1821	5,4
2400	57,8	16,1	50	774	876	980	1085	1191	1299	1408	6,0
	70,8	19,7	75	876	992	1111	1231	1352	1476	1600	6,0
	81,7	22,7	100	948	1074	1203	1334	1466	1601	1737	6,0
	91,4	25,4	125	1002	1137	1273	1412	1553	1696	1841	6,0
	100,1	27,8	150	1045	1186	1329	1475	1622	1772	1924	6,0
	115,6	32,1	200	1113	1263	1416	1572	1730	1890	2054	6,0
2700	65,9	18,3	50	876	992	1109	1228	1348	1470	1593	6,7
	80,7	22,4	75	987	1118	1252	1387	1524	1663	1803	6,7
	93,1	25,9	100	1063	1205	1350	1496	1645	1795	1948	6,7
	104,1	28,9	125	1119	1269	1422	1577	1734	1893	2055	6,7
	114,1	31,7	150	1163	1319	1478	1640	1803	1970	2138	6,7
	131,7	36,6	200	1229	1395	1564	1736	1910	2087	2266	6,7
3000	73,9	20,5	50	942	1067	1193	1321	1450	1580	1712	7,3
	90,5	25,1	75	1041	1179	1319	1461	1605	1750	1897	7,3
	104,5	29	100	1101	1248	1397	1547	1700	1855	2012	7,3
	116,9	32,5	125	1143	1296	1450	1607	1766	1928	2091	7,3
	128	35,6	150	1176	1333	1492	1654	1818	1985	2153	7,3
	147,8	41,1	200	1233	1398	1566	1736	1909	2084	2262	7,3

V<sub>Wh</sub> = 0.0416 l/s corresponds to 250 l/h

## Ceiling induction diffuser DISA-300

### DISA-300-1-HT-...-B Heating

NL (mm)	V		P <sub>s</sub> (Pa)	Heating capacity water (W)							Δp <sub>w</sub> (kPa)
	(m <sup>3</sup> /h)	[l/s]		Δt <sub>RWV</sub> (K)							
				16	18	20	22	24	26	28	
900	18,1	5	50	202	227	253	278	303	328	354	0,6
	22,2	6,2	75	234	263	292	321	350	380	409	0,6
	25,7	7,1	100	258	290	322	354	387	419	451	0,6
	28,7	8	125	278	312	347	382	416	451	486	0,6
	31,4	8,7	150	294	331	368	405	442	478	515	0,6
	36,3	10,1	200	322	362	402	443	483	523	563	0,6
1200	26,9	7,5	50	284	320	355	391	426	462	497	0,8
	32,9	9,1	75	324	364	404	445	485	526	566	0,8
	38	10,6	100	353	397	441	485	529	573	617	0,8
	42,5	11,8	125	376	423	470	517	564	611	658	0,8
	46,6	12,9	150	395	445	494	543	593	642	692	0,8
	53,8	14,9	200	426	479	532	585	638	692	745	0,8
1500	34,3	9,5	50	365	410	456	502	547	593	638	0,9
	42	11,7	75	414	466	518	569	621	673	725	0,9
	48,5	13,5	100	450	507	563	619	675	732	788	0,9
	54,2	15,1	125	479	539	599	658	718	778	838	0,9
	59,4	16,5	150	502	565	628	691	753	816	879	0,9
	68,5	19	200	540	607	675	742	809	877	944	0,9
1800	43	11,9	50	454	511	567	624	681	738	794	1,1
	52,7	14,6	75	513	578	642	706	770	834	899	1,1
	60,8	16,9	100	557	626	696	765	835	904	974	1,1
	68	18,9	125	590	664	737	811	885	959	1032	1,1
	74,5	20,7	150	617	694	771	848	925	1003	1080	1,1
	86	23,9	200	659	742	824	907	989	1072	1154	1,1
2100	50,4	14	50	535	602	668	735	802	869	936	1,3
	61,7	17,1	75	602	678	753	828	904	979	1054	1,3
	71,3	19,8	100	651	732	813	894	976	1057	1138	1,3
	79,7	22,1	125	687	773	859	945	1031	1117	1203	1,3
	87,3	24,2	150	717	807	896	986	1076	1165	1255	1,3
	100,8	28	200	764	859	955	1050	1146	1241	1337	1,3
2400	57,8	16,1	50	618	696	773	850	927	1005	1082	1,4
	70,8	19,7	75	695	782	869	956	1043	1130	1216	1,4
	81,7	22,7	100	749	842	936	1029	1123	1217	1310	1,4
	91,4	25,4	125	789	888	986	1085	1184	1282	1381	1,4
	100,1	27,8	150	821	924	1026	1129	1232	1334	1437	1,4
	115,6	32,1	200	870	979	1088	1197	1305	1414	1523	1,4
2700	65,9	18,3	50	703	791	879	967	1055	1143	1231	1,6
	80,7	22,4	75	788	886	985	1083	1181	1280	1378	1,6
	93,1	25,9	100	845	950	1056	1162	1267	1373	1478	1,6
	104,1	28,9	125	887	997	1108	1219	1330	1441	1551	1,6
	114,1	31,7	150	919	1034	1149	1264	1378	1493	1608	1,6
	131,7	36,6	200	968	1089	1210	1331	1452	1573	1694	1,6
3000	73,9	20,5	50	762	857	953	1048	1143	1239	1334	1,7
	90,5	25,1	75	837	942	1047	1151	1256	1361	1465	1,7
	104,5	29	100	883	994	1104	1215	1325	1435	1546	1,7
	116,9	32,5	125	915	1029	1144	1258	1372	1487	1601	1,7
	128	35,6	150	940	1057	1174	1292	1409	1527	1644	1,7
	147,8	41,1	200	982	1105	1228	1351	1473	1596	1719	1,7

V<sub>Wn</sub> = 0.0416 l/s corresponds to 250 l/h



## Ceiling induction diffuser DISA-300

### DISA-300-2-H-...-B Heating

NL (mm)	V		P <sub>s</sub> (Pa)	Heating capacity water (W)							Δp <sub>w</sub> (kPa)
	(m <sup>3</sup> /h)	[l/s]		Δt <sub>rwv</sub> (K)							
				16	18	20	22	24	26	28	
900	18,1	5	50	297	336	377	417	458	500	542	2,7
	22,2	6,2	75	345	391	438	486	535	584	634	2,7
	25,7	7,1	100	382	434	487	540	594	649	706	2,7
	28,7	8	125	413	469	526	584	643	703	764	2,7
	31,4	8,7	150	439	498	559	622	685	749	815	2,7
	36,3	10,1	200	481	547	614	683	753	825	897	2,7
1200	26,9	7,5	50	408	462	517	573	630	687	745	3,4
	32,9	9,1	75	465	528	591	655	721	787	854	3,4
	38	10,6	100	508	576	646	717	788	861	935	3,4
	42,5	11,8	125	541	615	689	765	842	921	1000	3,4
	46,6	12,9	150	569	646	725	805	887	970	1054	3,4
	53,8	14,9	200	614	697	783	870	959	1049	1141	3,4
1500	34,3	9,5	50	519	589	659	730	802	875	949	4,1
	42	11,7	75	590	669	749	831	914	998	1083	4,1
	48,5	13,5	100	642	728	816	905	996	1088	1182	4,1
	54,2	15,1	125	682	775	869	964	1062	1160	1260	4,1
	59,4	16,5	150	716	814	913	1013	1116	1220	1326	4,1
	68,5	19	200	771	876	983	1092	1204	1317	1432	4,1
1800	43	11,9	50	642	728	815	903	992	1083	1174	4,7
	52,7	14,6	75	726	824	923	1023	1125	1228	1333	4,7
	60,8	16,9	100	786	892	1000	1109	1221	1333	1448	4,7
	68	18,9	125	833	945	1060	1177	1295	1415	1538	4,7
	74,5	20,7	150	871	989	1109	1232	1356	1483	1612	4,7
	86	23,9	200	932	1059	1189	1321	1455	1592	1731	4,7
2100	50,4	14	50	750	850	951	1053	1157	1263	1369	5,4
	61,7	17,1	75	842	955	1070	1187	1305	1424	1546	5,4
	71,3	19,8	100	908	1030	1155	1281	1409	1539	1671	5,4
	79,7	22,1	125	958	1088	1220	1354	1490	1628	1768	5,4
	87,3	24,2	150	1000	1136	1274	1414	1557	1702	1849	5,4
	100,8	28	200	1069	1215	1363	1514	1667	1823	1982	5,4
2400	57,8	16,1	50	858	972	1088	1206	1325	1445	1567	6,0
	70,8	19,7	75	961	1089	1220	1353	1487	1624	1762	6,0
	81,7	22,7	100	1031	1170	1311	1454	1599	1747	1897	6,0
	91,4	25,4	125	1084	1231	1380	1531	1684	1840	1999	6,0
	100,1	27,8	150	1128	1280	1436	1593	1754	1917	2082	6,0
	115,6	32,1	200	1199	1362	1528	1696	1868	2043	2220	6,0
2700	65,9	18,3	50	968	1097	1228	1360	1494	1630	1768	6,7
	80,7	22,4	75	1077	1221	1367	1516	1666	1819	1974	6,7
	93,1	25,9	100	1149	1303	1460	1619	1781	1945	2111	6,7
	104,1	28,9	125	1201	1363	1528	1695	1865	2038	2213	6,7
	114,1	31,7	150	1244	1412	1583	1757	1934	2113	2295	6,7
	131,7	36,6	200	1317	1495	1677	1862	2050	2241	2435	6,7
3000	73,9	20,5	50	1025	1161	1299	1438	1580	1723	1868	7,3
	90,5	25,1	75	1112	1260	1410	1562	1717	1873	2032	7,3
	104,5	29	100	1165	1321	1479	1639	1801	1966	2133	7,3
	116,9	32,5	125	1207	1369	1533	1699	1868	2039	2213	7,3
	128	35,6	150	1248	1415	1585	1758	1933	2110	2291	7,3
	147,8	41,1	200	1339	1520	1704	1890	2079	2272	2467	7,3

V<sub>Wn</sub> = 0.0416 l/s corresponds to 250 l/h

## Ceiling induction diffuser DISA-300

### DISA-300-2-HT-...-B Heating

NL (mm)	V		P <sub>s</sub> (Pa)	Heating capacity water (W)							Δp <sub>w</sub> (kPa)
	(m <sup>3</sup> /h)	[l/s]		Δt <sub>rwv</sub> (K)							
				16	18	20	22	24	26	28	
900	18,1	5	50	228	256	285	313	342	370	399	0,6
	22,2	6,2	75	263	295	328	361	394	427	459	0,6
	25,7	7,1	100	289	325	361	397	433	469	506	0,6
	28,7	8	125	310	349	388	427	465	504	543	0,6
	31,4	8,7	150	328	369	410	451	492	533	574	0,6
	36,3	10,1	200	357	402	447	491	536	580	625	0,6
1200	26,9	7,5	50	317	356	396	436	475	515	554	0,8
	32,9	9,1	75	358	403	448	493	538	583	627	0,8
	38	10,6	100	389	438	486	535	583	632	681	0,8
	42,5	11,8	125	413	465	516	568	619	671	723	0,8
	46,6	12,9	150	433	487	541	595	649	703	757	0,8
	53,8	14,9	200	464	522	580	638	696	754	812	0,8
1500	34,3	9,5	50	405	456	507	558	608	659	710	0,9
	42	11,7	75	457	514	571	629	686	743	800	0,9
	48,5	13,5	100	495	556	618	680	742	804	865	0,9
	54,2	15,1	125	524	589	655	720	786	851	917	0,9
	59,4	16,5	150	548	616	685	753	822	890	959	0,9
	68,5	19	200	586	660	733	806	880	953	1026	0,9
1800	43	11,9	50	503	566	629	692	755	818	881	1,1
	52,7	14,6	75	565	635	706	776	847	918	988	1,1
	60,8	16,9	100	608	684	760	836	912	988	1064	1,1
	68	18,9	125	642	722	802	882	963	1043	1123	1,1
	74,5	20,7	150	669	753	836	920	1004	1087	1171	1,1
	86	23,9	200	713	802	891	980	1069	1158	1247	1,1
2100	50,4	14	50	591	665	739	812	886	960	1034	1,3
	61,7	17,1	75	659	742	824	907	989	1072	1154	1,3
	71,3	19,8	100	707	796	884	973	1061	1149	1238	1,3
	79,7	22,1	125	744	837	930	1023	1116	1209	1302	1,3
	87,3	24,2	150	774	871	968	1065	1161	1258	1355	1,3
	100,8	28	200	824	926	1029	1132	1235	1338	1441	1,3
2400	57,8	16,1	50	682	767	852	938	1023	1108	1193	1,4
	70,8	19,7	75	759	853	948	1043	1138	1233	1327	1,4
	81,7	22,7	100	811	912	1013	1115	1216	1317	1418	1,4
	91,4	25,4	125	850	956	1062	1168	1274	1381	1487	1,4
	100,1	27,8	150	881	991	1101	1212	1322	1432	1542	1,4
	115,6	32,1	200	933	1049	1166	1283	1399	1516	1632	1,4
2700	65,9	18,3	50	773	870	967	1064	1160	1257	1354	1,6
	80,7	22,4	75	855	962	1069	1176	1283	1389	1496	1,6
	93,1	25,9	100	908	1022	1136	1249	1363	1476	1590	1,6
	104,1	28,9	125	948	1066	1184	1303	1421	1540	1658	1,6
	114,1	31,7	150	979	1101	1224	1346	1469	1591	1713	1,6
	131,7	36,6	200	1032	1161	1290	1419	1548	1677	1806	1,6
3000	73,9	20,5	50	825	928	1032	1135	1238	1341	1444	1,7
	90,5	25,1	75	891	1003	1114	1225	1337	1448	1560	1,7
	104,5	29	100	931	1048	1164	1281	1397	1514	1630	1,7
	116,9	32,5	125	963	1083	1204	1324	1445	1565	1685	1,7
	128	35,6	150	994	1118	1242	1366	1490	1615	1739	1,7
	147,8	41,1	200	1062	1195	1327	1460	1593	1726	1858	1,7

V<sub>Wn</sub> = 0.0416 l/s corresponds to 250 l/h

## Ceiling induction diffuser DISA-300

### DISA-300-1-H-...-C Heating

NL (mm)	V		P <sub>s</sub> (Pa)	Heating capacity water (W)							Δp <sub>w</sub> (kPa)
	(m³/h)	[l/s]		Δt <sub>rwv</sub> (K)							
				16	18	20	22	24	26	28	
900	33,4	9,3	50	367	416	467	518	570	623	676	2,7
	40,9	11,4	75	430	489	549	610	672	735	799	2,7
	47,2	13,1	100	479	545	612	680	750	821	894	2,7
	52,8	14,7	125	518	590	663	738	814	892	971	2,7
	57,9	16,1	150	551	627	706	786	867	951	1036	2,7
	66,8	18,6	200	604	689	775	864	955	1047	1142	2,7
1200	49,5	13,7	50	490	556	623	691	761	831	902	3,4
	60,6	16,8	75	560	636	714	792	873	954	1037	3,4
	70	19,4	100	611	695	780	867	955	1045	1136	3,4
	78,2	21,7	125	652	742	833	926	1021	1118	1216	3,4
	85,7	23,8	150	687	781	878	976	1077	1179	1284	3,4
	99	27,5	200	743	847	952	1060	1169	1282	1396	3,4
1500	63,1	17,5	50	618	702	786	872	959	1048	1137	4,1
	77,3	21,5	75	703	799	896	994	1095	1197	1301	4,1
	89,2	24,8	100	766	870	977	1085	1195	1308	1422	4,1
	99,8	27,7	125	816	928	1043	1159	1277	1398	1521	4,1
	109,3	30,4	150	860	979	1099	1223	1348	1476	1607	4,1
	126,2	35,1	200	933	1063	1195	1330	1467	1608	1751	4,1
1800	79,2	22	50	762	865	969	1075	1182	1292	1402	4,7
	97	26,9	75	859	976	1094	1215	1338	1462	1589	4,7
	112	31,1	100	930	1057	1186	1317	1451	1588	1726	4,7
	125,2	34,8	125	988	1123	1261	1402	1545	1691	1840	4,7
	137,1	38,1	150	1039	1182	1328	1477	1629	1783	1941	4,7
	158,4	44	200	1128	1284	1444	1606	1773	1942	2115	4,7
2100	92,8	25,8	50	880	998	1119	1241	1365	1490	1618	5,4
	113,6	31,6	75	985	1119	1255	1393	1533	1676	1821	5,4
	131,2	36,4	100	1064	1209	1356	1506	1659	1815	1973	5,4
	146,7	40,8	125	1132	1287	1445	1605	1769	1936	2105	5,4
	160,7	44,6	150	1196	1360	1527	1698	1872	2049	2230	5,4
	185,6	51,5	200	1309	1489	1674	1863	2055	2252	2452	5,4
2400	106,4	29,6	50	1000	1134	1271	1409	1550	1692	1837	6,0
	130,3	36,2	75	1111	1261	1414	1569	1727	1887	2050	6,0
	150,5	41,8	100	1192	1354	1519	1686	1857	2031	2207	6,0
	168,2	46,7	125	1263	1436	1611	1790	1972	2157	2346	6,0
	184,3	51,2	150	1332	1515	1701	1890	2084	2280	2480	6,0
	212,8	59,1	200	1461	1663	1868	2078	2292	2510	2733	6,0
2700	121,2	33,7	50	1118	1268	1421	1576	1733	1892	2053	6,7
	148,5	41,2	75	1229	1395	1563	1735	1909	2086	2265	6,7
	171,5	47,6	100	1311	1489	1669	1853	2040	2230	2424	6,7
	191,7	53,2	125	1389	1578	1771	1967	2166	2369	2575	6,7
	210	58,3	150	1471	1672	1877	2086	2298	2515	2735	6,7
	242,5	67,4	200	1632	1857	2087	2321	2560	2803	3051	6,7
3000	136,1	37,8	50	1142	1295	1449	1606	1765	1927	2090	7,3
	166,7	46,3	75	1232	1397	1565	1735	1908	2083	2261	7,3
	192,5	53,5	100	1331	1510	1692	1877	2065	2256	2450	7,3
	215,2	59,8	125	1455	1652	1852	2056	2264	2475	2689	7,3
	235,7	65,5	150	1587	1803	2024	2248	2476	2709	2945	7,3
	272,2	75,6	200	1728	1965	2207	2453	2704	2960	3221	7,3

V<sub>Wh</sub> = 0.0416 l/s corresponds to 250 l/h

## Ceiling induction diffuser DISA-300

### DISA-300-1-HT-...-C Heating

NL (mm)	V		P <sub>s</sub> (Pa)	Heating capacity water (W)							Δp <sub>w</sub> (kPa)
	(m <sup>3</sup> /h)	[l/s]		Δt <sub>rwv</sub> (K)							
				16	18	20	22	24	26	28	
900	33,4	9,3	50	278	313	348	382	417	452	487	0,6
	40,9	11,4	75	323	363	403	444	484	524	564	0,6
	47,2	13,1	100	356	400	445	489	534	578	623	0,6
	52,8	14,7	125	383	430	478	526	574	622	669	0,6
	57,9	16,1	150	405	455	506	556	607	657	708	0,6
	66,8	18,6	200	440	495	550	605	660	715	770	0,6
1200	49,5	13,7	50	377	424	471	518	565	612	659	0,8
	60,6	16,8	75	426	480	533	586	639	693	746	0,8
	70	19,4	100	462	520	578	636	693	751	809	0,8
	78,2	21,7	125	491	552	613	675	736	797	859	0,8
	85,7	23,8	150	514	579	643	707	772	836	900	0,8
	99	27,5	200	553	622	691	760	830	899	968	0,8
1500	63,1	17,5	50	478	538	597	657	717	776	836	0,9
	77,3	21,5	75	539	606	673	741	808	875	943	0,9
	89,2	24,8	100	583	656	729	802	874	947	1020	0,9
	99,8	27,7	125	618	696	773	850	928	1005	1082	0,9
	109,3	30,4	150	649	730	811	892	973	1054	1135	0,9
	126,2	35,1	200	699	786	874	961	1049	1136	1223	0,9
1800	79,2	22	50	591	665	739	813	886	960	1034	1,1
	97	26,9	75	661	743	826	909	991	1074	1156	1,1
	112	31,1	100	711	800	889	978	1066	1155	1244	1,1
	125,2	34,8	125	752	846	940	1034	1128	1222	1316	1,1
	137,1	38,1	150	788	886	985	1083	1182	1280	1379	1,1
	158,4	44	200	849	955	1061	1167	1274	1380	1486	1,1
2100	92,8	25,8	50	687	773	859	945	1031	1117	1202	1,3
	113,6	31,6	75	764	859	955	1050	1145	1241	1336	1,3
	131,2	36,4	100	820	922	1025	1127	1230	1332	1435	1,3
	146,7	40,8	125	868	977	1086	1194	1303	1411	1520	1,3
	160,7	44,6	150	913	1027	1141	1256	1370	1484	1598	1,3
	185,6	51,5	200	992	1116	1240	1364	1488	1612	1736	1,3
2400	106,4	29,5	50	788	886	984	1083	1181	1280	1378	1,4
	130,3	36,2	75	869	978	1086	1195	1304	1412	1521	1,4
	150,5	41,8	100	928	1044	1160	1276	1392	1508	1624	1,4
	168,2	46,7	125	979	1102	1224	1347	1469	1591	1714	1,4
	184,3	51,2	150	1029	1157	1286	1414	1543	1671	1800	1,4
	212,8	59,1	200	1119	1259	1399	1539	1679	1819	1959	1,4
2700	121,2	33,7	50	886	997	1107	1218	1329	1440	1550	1,6
	148,5	41,2	75	968	1089	1210	1331	1452	1573	1694	1,6
	171,5	47,6	100	1028	1156	1285	1413	1542	1670	1799	1,6
	191,7	53,2	125	1085	1220	1356	1491	1627	1763	1898	1,6
	210	58,3	150	1144	1287	1429	1572	1715	1858	2001	1,6
	242,5	67,4	200	1259	1416	1573	1730	1888	2045	2202	1,6
3000	136,1	37,8	50	914	1029	1143	1257	1372	1486	1600	1,7
	166,7	46,3	75	982	1104	1227	1350	1473	1595	1718	1,7
	192,5	53,5	100	1055	1187	1319	1451	1583	1715	1847	1,7
	215,2	59,8	125	1147	1290	1434	1577	1720	1864	2007	1,7
	235,7	65,5	150	1243	1399	1554	1709	1865	2020	2176	1,7
	272,2	75,6	200	1345	1513	1681	1849	2017	2186	2354	1,7

V<sub>Wn</sub> = 0.0416 l/s corresponds to 250 l/h

## Ceiling induction diffuser DISA-300

### DISA-300-2-H-...-C Heating

NL (mm)	V		P <sub>s</sub> (Pa)	Heating capacity water (W)							Δp <sub>w</sub> (kPa)
	(m <sup>3</sup> /h)	[l/s]		Δt <sub>rwv</sub> (K)							
				16	18	20	22	24	26	28	
900	33,4	9,3	50	415	472	529	588	648	708	770	2,7
	40,9	11,4	75	483	550	618	687	758	830	903	2,7
	47,2	13,1	100	535	609	684	762	841	921	1004	2,7
	52,8	14,7	125	575	656	738	822	908	995	1085	2,7
	57,9	16,1	150	609	695	782	872	964	1057	1153	2,7
	66,8	18,6	200	665	759	855	954	1055	1158	1264	2,7
1200	49,5	13,7	50	544	618	693	769	847	926	1006	3,4
	60,6	16,8	75	616	701	786	874	963	1054	1146	3,4
	70	19,4	100	670	762	856	951	1049	1149	1250	3,4
	78,2	21,7	125	713	811	912	1015	1119	1226	1335	3,4
	85,7	23,8	150	749	853	960	1068	1179	1292	1408	3,4
	99	27,5	200	807	920	1035	1153	1274	1397	1523	3,4
1500	63,1	17,5	50	684	776	870	966	1064	1162	1263	4,1
	77,3	21,5	75	772	877	984	1094	1205	1318	1434	4,1
	89,2	24,8	100	838	954	1071	1191	1313	1437	1564	4,1
	99,8	27,7	125	894	1017	1143	1272	1403	1536	1673	4,1
	109,3	30,4	150	941	1071	1204	1341	1479	1621	1766	4,1
	126,2	35,1	200	1008	1148	1292	1439	1589	1742	1899	4,1
1800	79,2	22	50	837	950	1066	1183	1302	1423	1546	4,7
	97	26,9	75	937	1064	1195	1327	1462	1600	1740	4,7
	112	31,1	100	1014	1153	1295	1439	1587	1737	1890	4,7
	125,2	34,8	125	1080	1229	1381	1536	1694	1856	2020	4,7
	137,1	38,1	150	1137	1294	1455	1620	1787	1958	2133	4,7
	158,4	44	200	1207	1375	1547	1722	1902	2085	2272	4,7
2100	92,8	25,8	50	961	1091	1224	1358	1494	1633	1774	5,4
	113,6	31,6	75	1072	1218	1366	1518	1672	1828	1988	5,4
	131,2	36,4	100	1163	1323	1485	1651	1819	1991	2166	5,4
	146,7	40,8	125	1247	1419	1594	1773	1955	2141	2331	5,4
	160,7	44,6	150	1320	1502	1689	1879	2074	2272	2474	5,4
	185,6	51,5	200	1389	1583	1780	1981	2187	2398	2612	5,4
2400	106,4	29,6	50	1086	1233	1382	1533	1687	1843	2002	6,0
	130,3	36,2	75	1200	1363	1529	1698	1870	2045	2222	6,0
	150,5	41,8	100	1297	1474	1655	1839	2026	2217	2411	6,0
	168,2	46,7	125	1390	1581	1776	1974	2177	2383	2593	6,0
	184,3	51,2	150	1474	1678	1885	2097	2314	2534	2759	6,0
	212,8	59,1	200	1557	1773	1993	2219	2448	2683	2922	6,0
2700	121,2	33,7	50	1204	1367	1532	1699	1869	2042	2218	6,7
	148,5	41,2	75	1319	1498	1680	1866	2054	2245	2440	6,7
	171,5	47,6	100	1428	1623	1822	2024	2229	2439	2651	6,7
	191,7	53,2	125	1543	1754	1970	2190	2414	2643	2875	6,7
	210	58,3	150	1649	1876	2108	2345	2586	2832	3083	6,7
	242,5	67,4	200	1724	1963	2207	2455	2709	2968	3232	6,7
3000	136,1	37,8	50	1209	1371	1535	1702	1871	2043	2217	7,3
	166,7	46,3	75	1343	1524	1708	1895	2085	2278	2474	7,3
	192,5	53,5	100	1519	1726	1936	2150	2368	2589	2814	7,3
	215,2	59,8	125	1681	1911	2145	2384	2628	2876	3128	7,3
	235,7	65,5	150	1721	1957	2198	2443	2693	2948	3207	7,3

V<sub>Wn</sub> = 0.0416 l/s corresponds to 250 l/h

## Ceiling induction diffuser DISA-300

### DISA-300-2-HT-...-C Heating

NL (mm)	V		P <sub>s</sub> (Pa)	Heating capacity water (W)							Δp <sub>w</sub> (kPa)
	(m <sup>3</sup> /h)	[l/s]		Δt <sub>rwv</sub> (K)							
				16	18	20	22	24	26	28	
900	33,4	9,3	50	312	351	390	429	468	507	564	0,6
	40,9	11,4	75	359	404	449	494	539	584	628	0,6
	47,2	13,1	100	394	443	492	541	590	640	689	0,6
	52,8	14,7	125	421	474	526	579	631	684	737	0,6
	57,9	16,1	150	443	499	554	610	665	721	776	0,6
	66,8	18,6	200	479	539	599	659	719	779	839	0,6
1200	49,5	13,7	50	415	467	519	571	622	674	726	0,8
	60,6	16,8	75	466	524	582	640	699	757	815	0,8
	70	19,4	100	503	565	628	691	754	817	880	0,8
	78,2	21,7	125	532	599	665	732	798	865	931	0,8
	85,7	23,8	150	557	627	696	766	836	905	975	0,8
	99	27,5	200	596	670	745	819	894	968	1043	0,8
1500	63,1	17,5	50	525	590	656	722	787	853	918	0,9
	77,3	21,5	75	587	661	734	807	881	954	1028	0,9
	89,2	24,8	100	634	713	792	871	951	1030	1109	0,9
	99,8	27,7	125	672	756	840	924	1008	1092	1176	0,9
	109,3	30,4	150	704	792	880	968	1056	1144	1232	0,9
	126,2	35,1	200	750	843	937	1031	1124	1218	1312	0,9
1800	79,2	22	50	645	726	806	887	967	1048	1129	1,1
	97	26,9	75	716	805	895	984	1074	1163	1253	1,1
	112	31,1	100	770	866	962	1059	1155	1251	1347	1,1
	125,2	34,8	125	816	918	1020	1122	1224	1326	1428	1,1
	137,1	38,1	150	855	962	1069	1176	1283	1390	1497	1,1
	158,4	44	200	903	1016	1129	1242	1355	1467	1580	1,1
2100	92,8	25,8	50	746	839	933	1026	1119	1213	1306	1,3
	113,6	31,6	75	826	929	1032	1135	1238	1341	1445	1,3
	131,2	36,4	100	890	1002	1113	1224	1336	1447	1558	1,3
	146,7	40,8	125	949	1068	1186	1305	1424	1542	1661	1,3
	160,7	44,6	150	1000	1125	1250	1375	1500	1625	1750	1,3
	185,6	51,5	200	1048	1179	1310	1441	1572	1703	1834	1,3
2400	106,4	29,6	50	851	957	1063	1170	1276	1382	1489	1,4
	130,3	36,2	75	934	1050	1167	1284	1400	1517	1634	1,4
	150,5	41,8	100	1003	1129	1254	1379	1505	1630	1756	1,4
	168,2	46,7	125	1069	1203	1337	1470	1604	1738	1871	1,4
	184,3	51,2	150	1129	1270	1411	1552	1693	1834	1975	1,4
	212,8	59,1	200	1186	1335	1483	1631	1780	1928	2076	1,4
2700	121,2	33,7	50	950	1068	1187	1306	1424	1543	1662	1,6
	148,5	41,2	75	1034	1163	1292	1422	1551	1680	1809	1,6
	171,5	47,6	100	1113	1252	1391	1530	1669	1808	1947	1,6
	191,7	53,2	125	1195	1344	1494	1643	1792	1942	2091	1,6
	210	58,3	150	1270	1429	1588	1746	1905	2064	2223	1,6
	242,5	67,4	200	1323	1489	1654	1819	1985	2150	2316	1,6
3000	136,1	37,8	50	965	1085	1206	1326	1447	1568	1688	1,7
	166,7	46,3	75	1065	1198	1331	1464	1597	1730	1863	1,7
	192,5	53,5	100	1194	1343	1493	1642	1791	1941	2090	1,7
	215,2	59,8	125	1311	1475	1639	1803	1967	2130	2294	1,7
	235,7	65,5	150	1340	1508	1675	1843	2010	2178	2345	1,7

V<sub>Wn</sub> = 0.0416 l/s corresponds to 250 l/h

## Ceiling induction diffuser DISA-300

### DISA-300-1-H-...-D Heating

NL (mm)	V		P <sub>s</sub> (Pa)	Heating capacity water (W)							Δp <sub>w</sub> (kPa)
	(m <sup>3</sup> /h)	[l/s]		Δt <sub>rwv</sub> (K)							
				16	18	20	22	24	26	28	
900	50,2	13,9	50	357	405	454	504	554	605	657	2,7
	61,4	17,1	75	444	505	567	630	694	760	826	2,7
	71	19,7	100	512	582	655	728	804	880	958	2,7
	79,3	22	125	566	645	726	808	892	978	1066	2,7
	86,9	24,1	150	612	697	785	875	967	1061	1157	2,7
	100,3	27,9	200	686	783	882	985	1089	1197	1307	2,7
1200	74,3	20,6	50	482	546	612	679	747	816	885	3,4
	91	25,3	75	578	656	736	818	901	985	1071	3,4
	105,1	29,2	100	648	737	828	920	1015	1111	1208	3,4
	117,5	32,6	125	705	803	902	1004	1107	1213	1321	3,4
	128,7	35,8	150	754	859	966	1075	1187	1301	1417	3,4
	148,7	41,3	200	828	944	1062	1184	1308	1434	1564	3,4
1500	94,8	26,3	50	603	684	767	850	935	1021	1108	4,1
	116,1	32,2	75	720	818	917	1019	1122	1226	1333	4,1
	134	37,2	100	807	917	1030	1145	1262	1381	1502	4,1
	149,8	41,6	125	879	1000	1124	1250	1379	1511	1644	4,1
	164,2	56,6	150	942	1073	1206	1342	1481	1623	1768	4,1
	189,5	52,7	200	1022	1164	1310	1459	1612	1768	1927	4,1
1800	118,9	33	50	747	847	949	1053	1158	1264	1373	4,7
	145,7	40,5	75	880	999	1121	1245	1371	1499	1629	4,7
	168,2	46,7	100	979	1113	1249	1389	1530	1675	1822	4,7
	188	52,2	125	1065	1211	1361	1514	1670	1829	1990	4,7
	206	57,2	150	1140	1299	1460	1625	1793	1965	2140	4,7
	237,9	66,1	200	1209	1377	1549	1725	1905	2089	2276	4,7
2100	139,4	38,7	50	860	975	1092	1211	1332	1455	1579	5,4
	170,7	47,4	75	1005	1141	1280	1421	1564	1710	1858	5,4
	197,1	54,8	100	1117	1270	1425	1584	1745	1909	2076	5,4
	220,4	61,2	125	1223	1391	1563	1738	1916	2098	2283	5,4
	241,4	67,1	150	1320	1503	1689	1880	2074	2272	2475	5,4
	278,7	77,4	200	1370	1560	1754	1953	2155	2362	2573	5,4
2400	159,8	44,4	50	975	1106	1239	1374	1511	1649	1790	6,0
	195,7	54,4	75	1129	1281	1437	1595	1755	1918	2084	6,0
	226	62,8	100	1245	1414	1587	1763	1942	2124	2309	6,0
	252,7	70,2	125	1359	1546	1736	1930	2127	2368	2533	6,0
	276,8	76,9	150	1471	1674	1881	2092	2308	2528	2752	6,0
	319,6	88,8	200	1536	1749	1966	2188	2414	2645	2881	6,0
2700	182,1	50,6	50	1093	1240	1389	1540	1693	1848	2006	6,7
	223	62	75	1247	1415	1586	1760	1937	2117	2300	6,7
	257,5	71,5	100	1368	1554	1744	1937	2133	2332	2535	6,7
	287,9	80	125	1505	1711	1921	2135	2353	2575	2800	6,7
	315,4	87,6	150	1645	1872	2103	2339	2580	2826	3076	6,7
	364,2	101,2	200	1666	1896	2130	2370	2614	2863	3117	6,7
3000	204,4	56,8	50	1124	1274	1426	1580	1736	1894	2055	7,3
	250,4	69,5	75	1250	1417	1588	1761	1936	2114	2295	7,3
	289,1	80,3	100	1420	1612	1807	2006	2208	2413	2621	7,3
	323,2	89,8	125	1634	1858	2085	2317	2553	2793	3038	7,3
	354	98,3	150	1724	1960	2201	2447	2697	2952	3212	7,3

V<sub>Wn</sub> = 0.0416 l/s corresponds to 250 l/h

## Ceiling induction diffuser DISA-300

### DISA-300-1-HT-...-D Heating

NL (mm)	V		P <sub>s</sub> (Pa)	Heating capacity water (W)							Δp <sub>w</sub> (kPa)
	(m <sup>3</sup> /h)	[l/s]		Δt <sub>rwv</sub> (K)							
				16	18	20	22	24	26	28	
900	50,2	13,9	50	271	305	339	373	407	441	475	0,6
	61,4	17,1	75	332	374	415	457	498	540	581	0,6
	71	19,7	100	378	426	473	520	567	615	662	0,6
	79,3	22	125	415	467	518	570	622	674	726	0,6
	86,9	24,1	150	445	500	556	612	667	723	778	0,6
	100,3	27,9	200	493	554	616	678	739	801	862	0,6
1200	74,3	20,6	50	370	416	463	509	555	602	648	0,8
	91	25,3	75	439	493	548	603	658	713	768	0,8
	105,1	29,2	100	488	549	610	671	732	793	854	0,8
	117,5	32,6	125	527	593	659	725	791	857	923	0,8
	128,7	35,8	150	560	630	700	770	841	911	981	0,8
	148,7	41,3	200	610	686	762	838	915	991	1067	0,8
1500	94,8	23,6	50	467	525	584	642	700	759	817	0,9
	116,1	32,2	75	551	619	688	757	826	895	963	0,9
	134	37,2	100	612	688	765	841	918	994	1070	0,9
	149,8	41,6	125	662	745	828	910	993	1076	1159	0,9
	164,2	45,6	150	705	793	881	969	1058	1146	1234	0,9
	189,5	52,7	200	759	854	949	1044	1139	1234	1328	0,9
1800	118,9	33	50	580	652	725	797	869	942	1014	1,1
	145,7	40,5	75	676	760	844	929	1013	1098	1182	1,1
	168,2	46,7	100	745	839	932	1025	1118	1211	1305	1,1
	188	52,2	125	805	906	1007	1107	1208	1309	1409	1,1
	206	57,2	150	858	965	1072	1179	1287	1394	1501	1,1
	237,9	66,1	200	904	1017	1130	1244	1357	1470	1583	1,1
2100	139,4	38,7	50	672	756	840	924	1008	1092	1176	1,3
	170,7	47,4	75	778	875	972	1069	1166	1264	1361	1,3
	197,1	54,8	100	858	965	1072	1180	1287	1394	1501	1,3
	220,4	61,2	125	932	1049	1166	1282	1399	1515	1632	1,3
	241,4	67,1	150	1000	1125	1250	1375	1500	1625	1750	1,3
	278,7	77,4	200	1034	1163	1293	1422	1551	1681	1810	1,3
2400	159,8	44,4	50	769	866	962	1058	1154	1250	1346	1,4
	195,7	54,4	75	882	992	1102	1213	1323	1433	1543	1,4
	226	62,8	100	966	1087	1207	1328	1449	1570	1690	1,4
	252,7	70,2	125	1048	1179	1310	1441	1572	1703	1833	1,4
	276,8	76,9	150	1126	1267	1408	1549	1689	1830	1971	1,4
	319,6	88,8	200	1172	1318	1465	1611	1758	1904	2051	1,4
2700	182,1	50,6	50	867	976	1084	1193	1301	1410	1518	1,6
	223	62	75	981	1103	1226	1348	1471	1594	1716	1,6
	257,5	71,5	100	1069	1203	1337	1471	1604	1738	1872	1,6
	287,9	80	125	1168	1314	1460	1606	1752	1898	2043	1,6
	315,4	87,6	150	1267	1426	1584	1743	1901	2060	2218	1,6
	364,2	101,2	200	1287	1442	1603	1763	1923	2083	2244	1,6
3000	204,4	56,8	50	900	1013	1125	1238	1351	1463	1576	1,7
	250,4	69,5	75	995	1120	1244	1368	1493	1617	1741	1,7
	289,1	80,3	100	1121	1261	1401	1542	1682	1822	1962	1,7
	323,2	89,8	125	1278	1437	1597	1757	1916	2076	2236	1,7
	354	98,3	150	1342	1510	1677	1845	2013	2180	2348	1,7

V<sub>Wn</sub> = 0.0416 l/s corresponds to 250 l/h



## Ceiling induction diffuser DISA-300

### DISA-300-2-H-...-D Heating

NL (mm)	V		P <sub>s</sub> (Pa)	Heating capacity water (W)							Δp <sub>w</sub> (kPa)
	(m <sup>3</sup> /h)	[l/s]		Δt <sub>rwv</sub> (K)							
				16	18	20	22	24	26	28	
900	50,2	13,9	50	413	469	526	584	643	703	764	2,7
	61,4	17,1	75	505	575	646	719	793	869	946	2,7
	71	19,7	100	575	655	737	821	907	995	1084	2,7
	79,3	22	125	631	719	810	903	999	1096	1196	2,7
	86,9	24,1	150	678	773	872	973	1076	1182	1290	2,7
	100,3	27,9	200	755	863	974	1088	1205	1326	1449	2,7
1200	74,3	20,6	50	543	617	692	768	846	924	1004	3,4
	91	25,3	75	641	729	819	910	1004	1098	1195	3,4
	105,1	29,2	100	715	814	915	1018	1123	1230	1339	3,4
	117,5	32,6	125	775	882	993	1105	1221	1338	1458	3,4
	128,7	35,8	150	821	936	1053	1174	1297	1422	1551	3,4
	148,7	41,3	200	842	960	1081	1205	1331	1461	1593	3,4
1500	94,8	26,3	50	678	770	864	959	1055	1153	1253	4,1
	116,1	32,2	75	798	908	1019	1133	1248	1366	1486	4,1
	134	37,2	100	892	1015	1140	1268	1399	1533	1669	4,1
	149,8	41,6	125	968	1102	1380	1380	1523	1670	1819	4,1
	164,2	45,6	150	1017	1159	1304	1453	1604	1759	1918	4,1
	118,9	33	50	833	946	1060	1177	1296	1416	1539	4,7
1800	145,7	40,5	75	969	1102	1237	1374	1515	1657	1803	4,7
	168,2	46,7	100	1079	1228	1380	1536	1694	1855	2020	4,7
	188	52,2	125	1170	1333	1499	1668	1842	2019	2199	4,7
	206	57,2	150	1211	1379	1552	1728	1908	2092	2280	4,7
	139,4	38,7	50	954	1083	1214	1347	1482	1620	1759	5,4
	170,7	47,4	75	1106	1257	1411	1567	1727	1889	2054	5,4
2100	197,1	54,8	100	1242	1413	1588	1766	1947	2132	2321	5,4
	220,4	61,2	125	1356	1544	1737	1933	2133	2338	2546	5,4
	241,4	67,1	150	1383	1575	1771	1971	2176	2385	2598	5,4
	159,8	44,4	50	1076	1221	1368	1518	1670	1825	1982	6,0
	195,7	54,4	75	1233	1401	1572	1746	1923	2103	2286	6,0
	226	62,8	100	1381	1570	1764	1961	2162	2367	2575	6,0
2400	252,7	70,2	125	1515	1724	1938	2156	2379	2607	2838	6,0
	276,8	76,9	150	1550	1765	1984	2209	2437	2671	2909	6,0
	182,1	50,6	50	1194	1355	1519	1685	1853	2025	2199	6,7
	223	62	75	1355	1539	1727	1917	2111	2309	2509	6,7
	257,5	71,5	100	1532	1741	1956	2174	2396	2622	2853	6,7
	287,9	80	125	1697	1932	2171	2416	2665	2920	3179	6,7
2700	315,4	87,6	150	1700	1935	2175	2420	2670	2925	3185	6,7
	204	56,8	50	1200	1361	1524	1690	1858	2028	2200	7,3
	250,4	69,5	75	1398	1587	1780	1975	2173	2375	2580	7,3
	289,1	80,3	100	1668	1896	2129	2366	2607	2853	3103	7,3

V<sub>Wn</sub> = 0.0416 l/s corresponds to 250 l/h

## Ceiling induction diffuser DISA-300

### DISA-300-2-HT-...-D Heating

NL (mm)	V		P <sub>s</sub> (Pa)	Heating capacity water (W)							Δp <sub>w</sub> (kPa)
	(m <sup>3</sup> /h)	[l/s]		Δt <sub>rwv</sub> (K)							
				16	18	20	22	24	26	28	
900	50,2	13,9	50	310	349	388	427	465	504	543	0,6
	61,4	17,1	75	374	421	467	514	561	608	654	0,6
	71	19,7	100	421	473	526	578	631	684	736	0,6
	79,3	22	125	457	514	572	629	686	743	800	0,6
	86,9	24,1	150	488	549	610	671	731	792	853	0,6
	100,3	27,9	200	537	604	672	739	806	873	940	0,6
1200	74,3	20,6	50	414	466	518	570	622	673	725	0,8
	91	25,3	75	483	544	604	664	725	785	846	0,8
	105,1	29,2	100	534	600	667	734	800	867	934	0,8
	117,5	32,6	125	574	646	718	790	861	933	1005	0,8
	128,7	35,8	150	605	681	757	832	908	984	1059	0,8
	148,7	41,3	200	619	697	774	851	929	1006	1084	0,8
1500	94,8	26,3	50	521	586	651	716	782	847	912	0,9
	116,1	32,2	75	606	682	757	833	909	984	1060	0,9
	134	37,2	100	670	754	838	922	1006	1090	1173	0,9
	149,8	41,6	125	723	813	903	993	1084	1174	1264	0,9
	164,2	45,6	150	756	850	945	1039	1134	1228	1323	0,9
1800	118,9	33	50	642	722	803	883	963	1043	1124	1,1
	145,7	40,5	75	739	831	923	1016	1108	1200	1293	1,1
	168,2	46,7	100	816	918	1020	1122	1224	1326	1427	1,1
	188	52,2	125	878	988	1098	1207	1317	1427	1537	1,1
	206	57,2	150	906	1019	1132	1245	1359	1472	1585	1,1
2100	139,4	38,7	50	741	833	926	1018	1111	1204	1296	1,3
	170,7	47,4	75	850	956	1062	1168	1275	1381	1487	1,3
	197,1	54,8	100	946	1064	1182	1300	1419	1537	1655	1,3
	220,4	61,2	125	1025	1153	1281	1409	1537	1666	1794	1,3
	241,1	67,1	150	1043	1173	1304	1434	1564	1695	1825	1,3
2400	159,8	44,4	50	843	949	1054	1159	1265	1370	1476	1,4
	195,7	54,4	75	957	1077	1197	1316	1436	1556	1675	1,4
	226	62,8	100	1063	1196	1329	1462	1594	1727	1860	1,4
	252,7	70,2	125	1157	1301	1446	1591	1735	1880	2025	1,4
	276,8	76,9	150	1182	1329	1477	1625	1773	1920	2068	1,4
2700	182,1	50,6	50	942	1060	1178	1295	1413	1531	1649	1,6
	223	62	75	1060	1192	1325	1457	1590	1722	1855	1,6
	257,5	71,5	100	1187	1335	1484	1632	1780	1929	2077	1,6
	287,9	80	125	1304	1467	1630	1793	1957	2120	2283	1,6
3000	204,4	56,8	50	958	1078	1198	1318	1437	1557	1677	1,7
	250,4	69,5	75	1105	1244	1382	1520	1658	1796	1934	1,7
	289,1	80,3	100	1302	1465	1627	1790	1953	2115	2278	1,7
	323,2	89,8	125	1281	1442	1602	1762	1922	2082	2242	1,7

V<sub>Wn</sub> = 0.0416 l/s corresponds to 250 l/h

# Ceiling induction diffuser DISA-300

## Sound level

NL (mm)	P <sub>s</sub> (Pa)	L <sub>WA</sub> [dB(A)]																										
		DISA-300...-A						DISA-300...-B						DISA-300...-C						DISA-300...-D								
		v (m <sup>3</sup> /h)	1 x ø98	2 x ø98	1 x ø123	2 x ø123	1 x ø148	2 x ø148	v (m <sup>3</sup> /h)	1 x ø98	2 x ø98	1 x ø123	2 x ø123	1 x ø148	2 x ø148	v (m <sup>3</sup> /h)	1 x ø98	2 x ø98	1 x ø123	2 x ø123	1 x ø148	2 x ø148	v (m <sup>3</sup> /h)	1 x ø98	2 x ø98	1 x ø123	2 x ø123	1 x ø148
900	50	10,6	20	20	20	20	20	18,1	20	20	20	20	20	20	33,4	23	24	23	25	24	24	50,2	30	29	26	27	25	26
	75	13,0	20	20	20	20	20	22,2	22	24	23	26	22	24	40,9	29	30	29	31	29	30	61,4	35	35	32	33	31	32
	100	15,0	22	21	22	22	22	25,7	27	28	28	29	27	28	47,2	33	34	33	35	33	34	71,0	39	39	37	38	36	37
	125	16,7	25	25	25	25	25	28,7	30	31	31	32	30	31	52,8	36	37	36	38	37	37	79,3	42	42	40	41	39	40
	150	18,3	27	27	28	28	28	31,4	33	34	34	35	33	34	57,9	39	40	39	40	39	40	86,9	45	44	43	44	42	43
	200	21,2	31	31	32	32	32	36,3	38	38	38	39	37	38	66,8	43	44	43	44	43	44	100,3	49	49	47	48	46	47
1200	50	15,7	20	20	20	20	20	26,9	20	20	20	22	20	20	49,5	25	25	25	26	25	26	74,3	33	31	29	29	28	28
	75	19,2	20	20	20	20	20	32,9	25	25	25	27	24	25	60,6	31	31	31	32	31	31	91,0	39	37	35	35	34	34
	100	22,2	23	22	23	23	23	38,0	29	30	29	31	29	30	70,0	35	35	35	36	35	35	105,1	42	41	39	39	38	39
	125	24,8	26	25	26	26	26	42,5	33	33	33	34	32	33	78,2	39	39	38	39	38	38	117,5	45	44	43	43	42	42
	150	27,2	28	28	29	29	28	46,6	35	36	36	36	35	35	85,7	41	41	41	42	41	41	128,7	48	46	46	45	44	44
	200	31,4	32	32	33	33	32	53,8	40	40	40	40	39	39	99,0	45	45	45	46	45	45	148,7	51	50	50	50	49	49
1500	50	20,0	20	20	20	20	20	34,3	20	20	20	22	20	20	63,1	27	25	26	26	26	26	94,8	36	32	32	30	31	29
	75	24,5	20	20	20	20	20	42,0	26	26	26	27	25	26	77,3	33	31	32	32	32	31	116,1	41	38	38	36	37	35
	100	28,3	23	23	23	23	23	48,5	30	30	30	31	29	30	89,2	37	36	36	36	36	36	134,0	45	42	42	40	41	40
	125	31,6	26	26	26	26	26	54,2	33	33	33	34	33	33	99,8	40	39	39	39	39	39	149,8	48	45	45	44	44	43
	150	34,6	29	29	29	29	29	59,4	36	36	36	37	35	36	109,3	43	42	42	42	42	41	164,2	50	47	48	46	47	45
	200	40,0	33	33	33	33	33	68,5	40	40	40	41	40	40	126,2	47	46	46	46	46	45	189,5	54	51	52	50	51	50
1800	50	25,1	20	20	20	20	20	43,0	22	21	21	22	21	21	79,2	30	26	28	27	27	26	118,9	39	34	36	32	34	31
	75	30,7	20	20	20	20	20	52,7	27	27	27	28	27	27	97,0	35	32	33	33	33	32	145,7	44	39	41	38	39	37
	100	35,5	23	23	24	24	23	60,8	32	31	31	32	31	31	112,0	39	36	38	37	37	36	168,2	48	43	45	42	43	41
	125	39,7	27	27	27	27	27	68,0	35	34	34	35	34	34	125,2	42	40	41	40	40	40	188,0	50	46	48	45	46	44
	150	43,5	29	29	30	30	29	74,5	37	37	37	37	37	37	137,1	44	42	43	43	43	42	206,0	53	49	50	48	49	47
	200	50,2	33	33	34	34	33	86,0	42	41	41	41	41	41	158,4	48	47	47	47	47	46	237,9	56	53	54	52	53	51
2100	50	29,4	20	20	20	20	20	50,4	22	21	21	21	21	21	92,8	31	25	27	26	24	26	139,4	41	34	39	32	37	31
	75	36,0	20	20	20	20	21	61,7	27	27	27	27	27	27	113,6	36	31	33	32	30	32	170,7	46	39	44	38	43	37
	100	41,6	23	23	24	23	24	71,3	32	31	31	31	31	31	131,2	40	36	37	36	34	36	197,1	50	43	47	42	46	41
	125	46,5	26	27	27	27	27	79,7	35	34	34	34	34	34	146,7	43	39	41	39	37	39	220,4	52	46	50	45	49	45
	150	50,9	29	29	30	29	30	87,3	37	37	37	37	37	37	160,7	46	42	43	42	39	42	241,4	55	49	52	48	51	47
	200	58,8	34	34	34	34	34	100,8	41	41	41	41	41	41	185,6	49	46	47	46	43	46	278,7	58	53	56	52	55	51
2400	50	33,7	20	20	20	20	20	57,8	25	24	24	24	24	24	106,4	34	28	31	28	30	28	159,8	45	37	42	35	40	34
	75	41,3	20	21	20	21	20	70,8	31	29	30	29	30	30	130,3	39	34	37	34	35	34	195,7	50	42	47	41	45	40
	100	47,7	25	25	25	25	24	81,7	35	33	34	33	34	33	150,5	43	38	40	38	39	38	226,0	53	46	50	44	49	44
	125	53,3	28	28	28	28	27	91,4	38	36	37	37	37	37	168,2	46	41	44	41	43	41	252,7	56	49	53	48	51	47
	150	58,4	30	31	31	31	30	100,1	40	39	39	39	39	39	184,3	48	44	46	44	45	44	276,8	58	52	55	50	54	49
	200	67,4	35	35	35	35	34	115,6	44	43	43	43	43	43	212,8	52	49	50	48	49	48	319,6	62	55	59	54	57	54
2700	50	38,4	20	20	20	20	20	65,9	28	26	26	26	26	26	121,2	37	30	34	29	32	29	182,1	49	40	45	37	43	36
	75	47,1	22	22	21	22	20	80,7	33	31	32	31	32	31	148,5	42	36	39	35	37	35	223,0	54	45	50	43	48	42
	100	54,3	26	26	25	26	24	93,1	37	35	36	35	36	35	171,5	46	40	43	39	41	39	257,5	57	49	53	47	51	46
	125	60,7	29	29	29	29	28	104,1	40	38	39	38	39	38	191,7	48	43	46	43	45	43	287,9	59	51	56	50	54	49
	150	66,5	32	32	31	32	30	114,1	43	41	41	41	41	41	210,0	51	46	48	46	47	45	315,4	61	54	58	52	56	51
	200	76,8	36	36	36	36	35	131,7	46	45	45	45	45	45	242,5	54	50	52	50	51	50	364,2	64	58	61	56	60	55
3000	50	43,1	20	20	20	20	20	73,9	29	26	27	25	27	26	136,1	39	29	34	28	32	29	204,4	52	40	48	38	46	37
	75	52,8	21	22	21	21	20	90,5	34	32	32	31	32	32	166,7	44	35	40	35	38	35	250,4	56	46	52	43	50	42
	100	61,0	26	26	26	26	25	104,5	38	36	36	35	36	36	192,5	47	40	43	39	42	39	289,1	59	49	56	47	54	46
	125	68,2	29	29	29	29	28	116,9	41	39	39	38	39	39	215,2	50	43	46	43	45	43	323,2	62	52	58	50	56	50
	150	74,7	32	32	32	32	31	128,0	43	41	41	41	42	41	235,7	52	46	49	45	47	46	354,0	64	54	60	53	58	52
	200	86,2	36	36	36	36	35	147,8	47	45	45	45	46	45	272,2	55	50	53	50	52	50	408,8	67	58	63	56	62	56

# Ceiling induction diffuser DISA-300

## Control units

### Valves

#### 3-way valves (series VXP46.10-...)

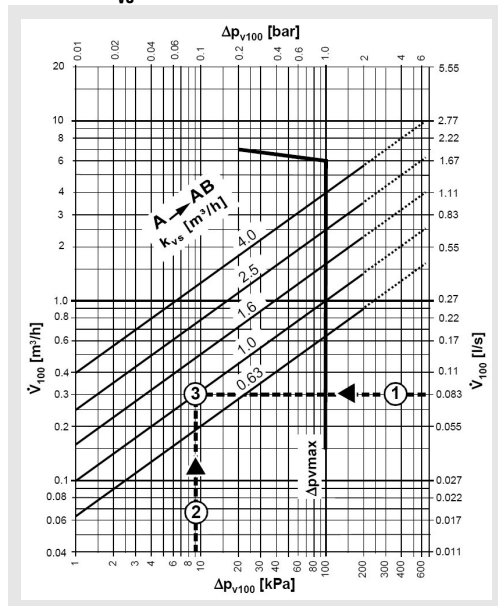


- Nominal diameter 10 mm
- Connection G1/2 B
- $k_{VS}$ : 0.63 (VXP46.10-0.63) and 1 m<sup>3</sup>/h (VXP46.10-1)
- $\Delta p_s$  : 150 kPa
- $\Delta p_{max}$ : 100 kPa
- Drives SSA (100 N) and STA (100 N)

#### Compatible drives:

Actuator	Operating voltage	Activation
SSA31	AC 230 V	3-point
SSA61	AC 24 V	DC 0 ...10 V
SSA81	AC 24 V	3-point
STA23	AC 230 V	2-point
STA73	AC 24 V	2-point or PWM <sup>(1)</sup>
STA63	AC 24 V	DC 0 ...10 V

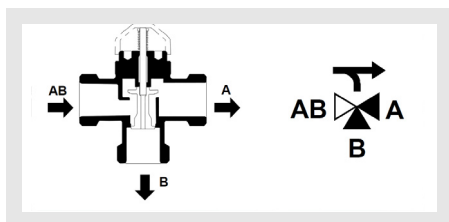
#### Selection $k_{VS}$ value



$V_{100}$  (m<sup>3</sup>/h) = (Register) flow rate with fully opened valve

$\Delta p_{V100}$  (kPa) = Consumer pressure loss (register)

#### Operation:



AB → A 0...100%  
AB → B 70...0%



The 3-way valves VXP46 are designed exclusively as distributor valves. For distributor circuits, the valve must therefore be mounted in the supply line.

#### 2-way valves (series VD115CLC)

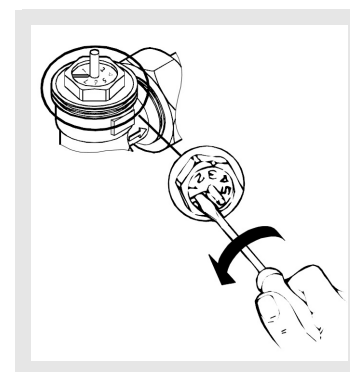


- Nominal diameter 15 mm
- Connections inner and outer thread 1/2 inch thick
- Manual setting button/protective cap included in delivery
- Valve with adjustable  $k_{VS}$  by means of a ring 0.25-1.9 m<sup>3</sup>/h
- Drives SSA (100N) and STA (100N)

#### Compatible drives:

Actuator	Operating voltage	Activation
SSA31	AC 230 V	3-point
SSA61	AC 24 V	DC 0 ...10 V
SSA81	AC 24 V	3-point
STA21	AC 230 V	2-point
STA71	AC 24 V	2-point or PWM <sup>(1)</sup>
STA63	AC 24 V	DC 0 ...10 V

#### Valve data:



Numbers	Valve stroke (mm)	$k_{VS}$ (m <sup>3</sup> /h)
0 <sup>1.)</sup>	0	0
1	0,188	0,25
2	0,375	0,65
3	0,563	0,88
4	0,750	1,12
5	0,938	1,30
6	1,125	1,46
7	1,313	1,57
0 <sup>2.)</sup>	1,500	1,90

The presetting < 5 is not recommended because of too little stroke resolution.



Two revolutions are possible on the presetting ring. The values listed in the table (numbers 0<sup>1.)</sup>... 0<sup>2.)</sup>) define the first revolution. Another revolution (numbers 0<sup>2.)</sup> ... 6) will increase the stroke to 2.5 mm (completely open), but the  $k_{VS}$  values will no longer change after 0<sup>2.)</sup>.

If Siemens valves VD...CLC are motorized with actuators SSA61..., the preset flow rate must be fixed at 1.5 mm of valve stroke (factory setting 0<sup>2.)</sup>). At a valve stroke < 1.5 mm, self-calibration will not be possible, and the actuator/valve combination will remain blocked.

(1) in connection with room controllers RDG

## Ceiling induction diffuser DISA-300

### Actuators

#### Model SSA



- Actuating power 100 N
- Automatic detection of the valve stroke
- Direct mounting
- Manual adjustment and position indicator
- Connecting cable lengths 1.5, 2.5 and 4.5 m

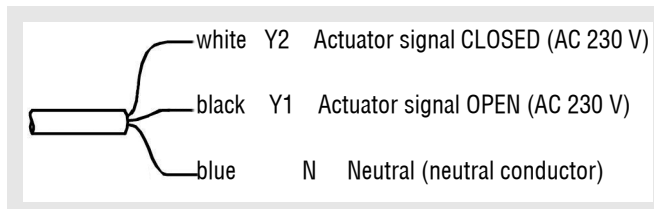
**SSA31:** actuator AC 230 V , 3-point activation

**SSA61:** actuator 24 V AC/DC, activation 0...10 V DC

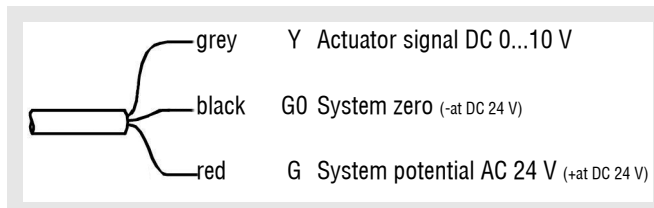
**SSA81:** actuator 24 V AC, 3-point activation

#### Connection diagrams:

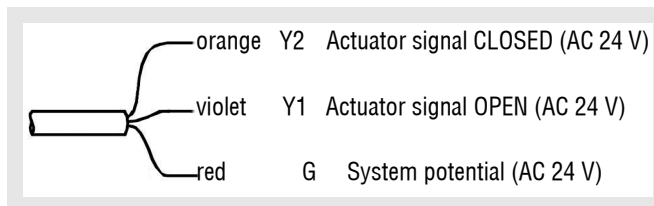
##### SSA31:



##### SSA61:



##### SSA81:



#### Model STA



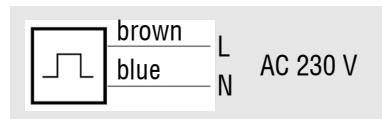
- Actuating power 100 N
- Simple installation
- Standard version including connecting cables of 1, 2 or 5 m
- Motion and position indicator
- Two-wire connection
- Pulse width modulation (PWM) (room temperature controllers RDG and RCU)

**STA23:** Operating voltage 230 V AC, actuator signal 2-point

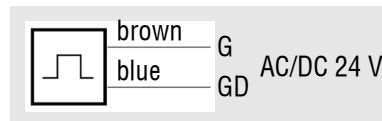
**STA73:** Operating voltage 24 V AC/DC, actuator signal 2-point or PDM (pulse duration modulation)

#### Connection diagrams:

##### STA23



##### STA73

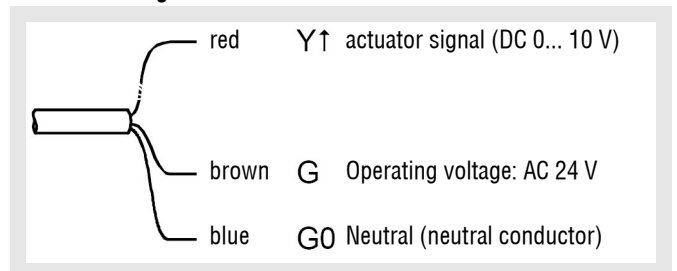


#### Model STA63



- Actuating power 100 N
- Simple installation
- Standard version including connecting cables of 1 m. (2, 5 or 7 m. optional)
- 270° visible position indicator
- 3-wire connection
- Voltage 24V AC/DC 0...10 V position signal

#### Connection diagrams



## Ceiling induction diffuser DISA-300

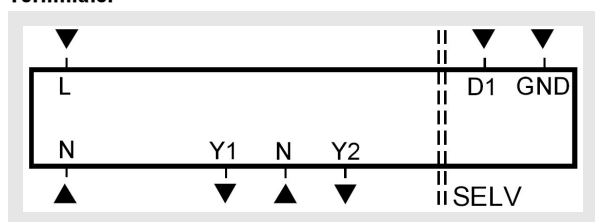
### Control units

#### Model RCU 10



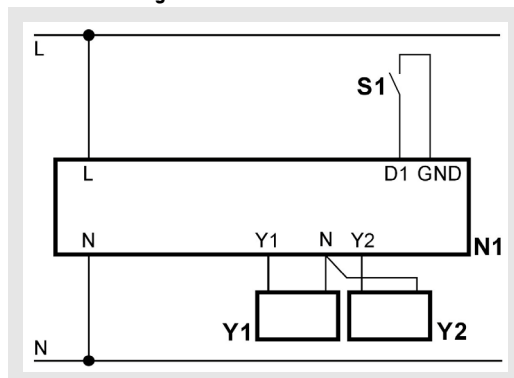
- 2-point or steady control with PI behaviour, as desired, combined with model STA
- On/Off or PWM signal
- Operating mode switchover contact input for remote circuit
- Operating voltage AC 230 V

#### Terminals:



- L,N Operating voltage AC 230 V  
 D1,GND Signal input for potential-free operating mode switch  
 Y1, Y2 Control signal PWM / 2-point AC 230 V

#### Connection diagram:



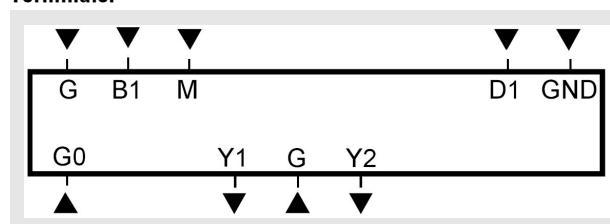
- N1 Room temperature control  
 S1 External operating mode converter  
 Y1, Y2 Actuator

#### Model RCU 15



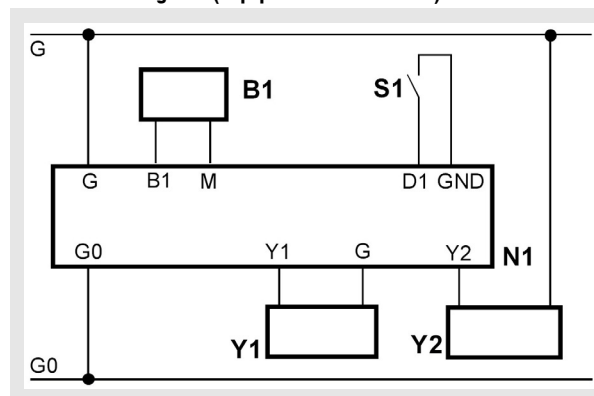
- 2-point or steady control with PI behaviour, as desired
- ON/OFF or PWM actuator signal outputs
- Standard, Economy and Stand-by operating modes
- Operating mode switchover contact input for remote circuit
- Operating voltage AC 24 V

#### Terminals:



- G,G0 Operating voltage AC 24 V  
 B1 Signal input external room temperature sensor or return air temperature sensor  
 D1,GND Signal input for potential-free operating mode switch  
 M Measurement zero "external room temperature sensor or return air temperature sensor"  
 Y1, Y2 Control signal PWM / 2-point AC 24 V

#### Connection diagram (4-pipe induction units):



For 2-pipe induction unit connect only Y1

- B1 External room temperature sensor (QAA32) or return air temperature sensor (QAH11.1)  
 N1 Room temperature control  
 S1 External operating mode converter  
 Y1, Y2 Actuator

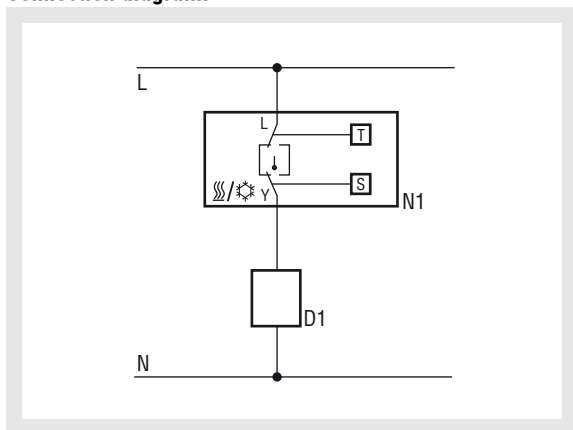
## Ceiling induction diffuser DISA-300

### Model RAA41



- Room thermostat with manual switch for heating or cooling
- Two-point control behaviour
- Control voltage AC 24...250 V

#### Connection diagram:



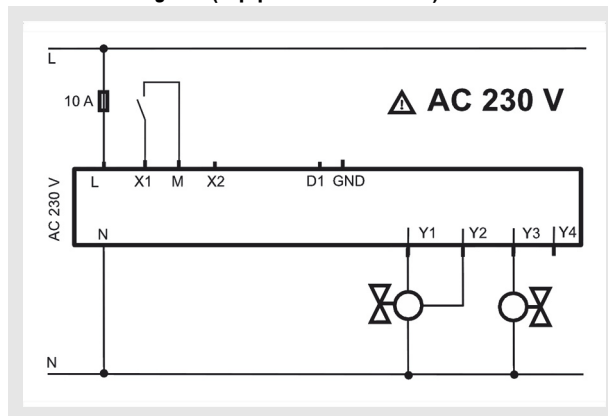
- D1 Zone valves or thermal valves
- L Control voltage AC 24...250 V
- N1 Room thermostat
- S Selector switch Heating / OFF / Cooling
- Y Control output "Heating" or "Cooling", AC 24...250 V
- N Operating voltage zero
- T Thermocouple (gas membrane)

### Model RDG



- Display with backlight
- Automatic switchover between heating and cooling mode by means of sensor QAH11.1 (optional)
- Operating modes: Comfort, Economy and Protective modes
- PWM regulation, optional
- Automatic mode with timer program
- Optional RDG KNX communication standard protocol (RDG 100KN)
- Condensation symbol visible on the display (when condensation occurs, the cooling valve will close)

#### Connection diagram (4-pipe induction units):



- Y1...Y4 Valve control signal AC 230 V
- L, N Operating voltage AC 230 V
- D1, GND Signal input for potential-free operating mode switch
- X1 Multifunctional input for dew point monitor (e.g. QXA 2000)
- X2 Multifunctional input for temperature sensor (e.g. QAH11.1). Heating / cooling switchover

## Ceiling induction diffuser DISA-300

### Condensation monitor

Models QXA2602 + QXA2604 + QXA2601 and QXA2603



QXA2602  
QXA2604



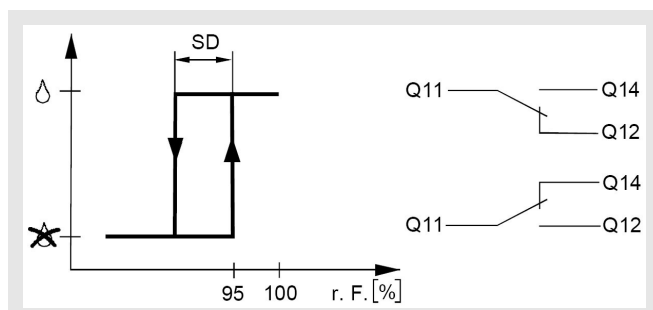
QXA2601  
QXA2603

- Operating voltage AC/DC 24 V or AC 230 V
- Potential-free changeover contact AC/DC 1...30V or AC 230V
- Quick and simple installation
- Flat or pre-assembly
- Integrated and remote sensor available
- Status display via two-colour LED

#### Mode of action:

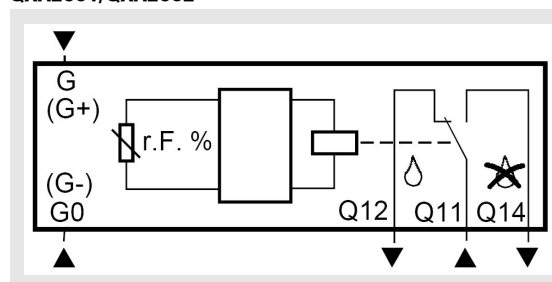
The condensation monitor detects the relative humidity near the dew point (= 100% of r. h.) via its moisture-sensitive element. During this monitoring, the resistance value of the element increases considerably between 90 ... 100% of r. h. Before reaching the dew point, the electronics of the relay switches. A changeover of the relay contact (two-point output) has the following effect, for example in cooling ceiling applications:

1. The cooling capacity is switched off by the valve position or by a controller until the condensation signal disappears again.
2. The water supply temperature is increased immediately by a selectable value (typically 1 to 2 K) und slowly lowered again once the signal has disappeared. This use results in a specific control function of the controller.



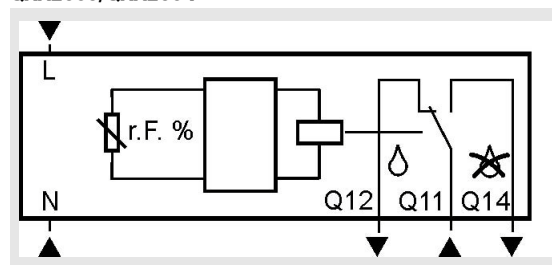
SD Switching difference  
Q... Relay contact output

#### Wiring diagrams: QXA2601/QXA2602



G Measurement voltage AC 24 V (DC 24 V)  
GO System zero  
Q... Potential-free changeover contact AC/DC 1...48 V

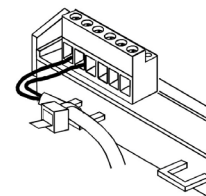
#### QXA2603/QXA2604



L, N Mains voltage AC 230 V  
Q... Potential-free changeover contact AC/DC 12...250 V



A strain relief for the AC 230 V terminals is absolutely necessary. The cables must be attached to the fishplates at the housing base using cable binders (see figure opposite).

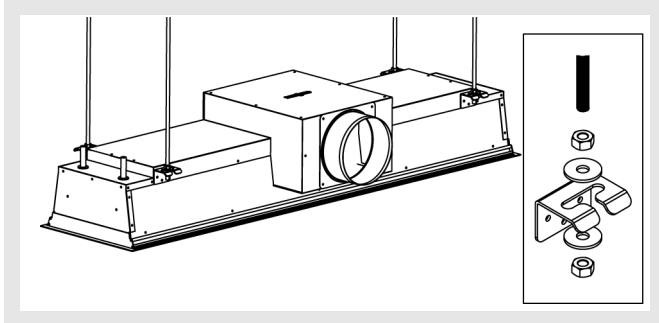




## Ceiling induction diffuser DISA-300

### Mounting

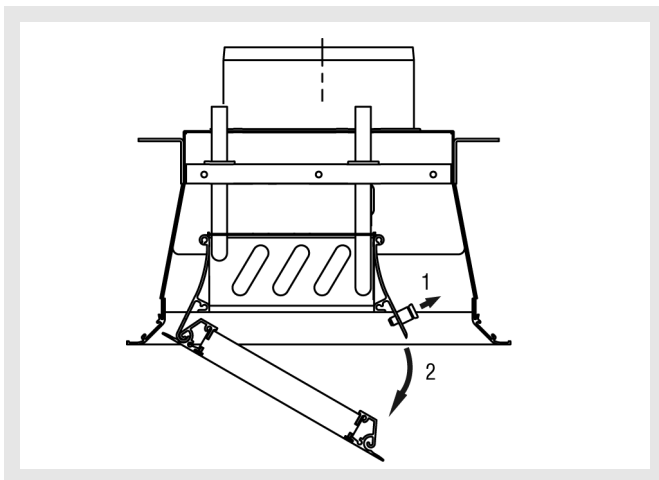
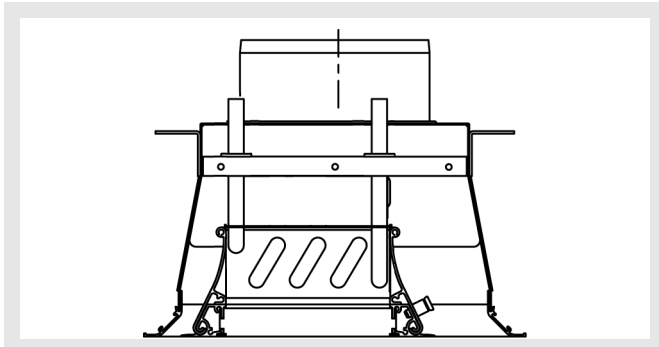
The induction diffusers are mounted to a load-bearing ceiling construction using threaded bars, nuts and an M8 washer.



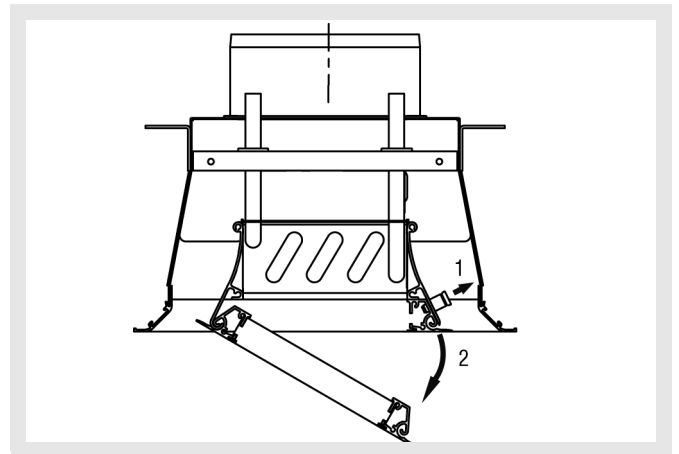
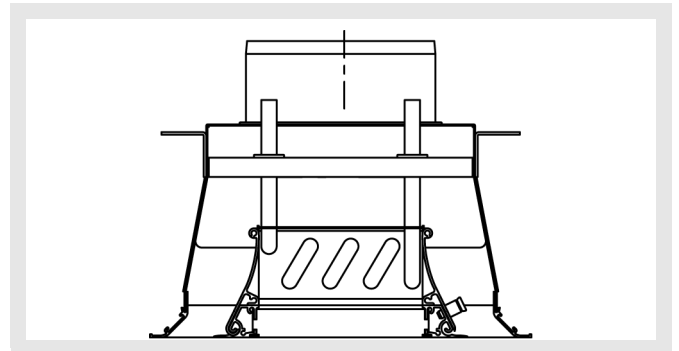
### Maintenance

The ceiling induction diffuser DISA-300 is particularly maintenance-friendly. For cleaning the heat exchanger, the secondary air grille can be easily folded down without requiring tools. For cleaning, compressed air or a vacuum cleaner can be used.

#### DISA-300-1-H



#### DISA-300-2-H

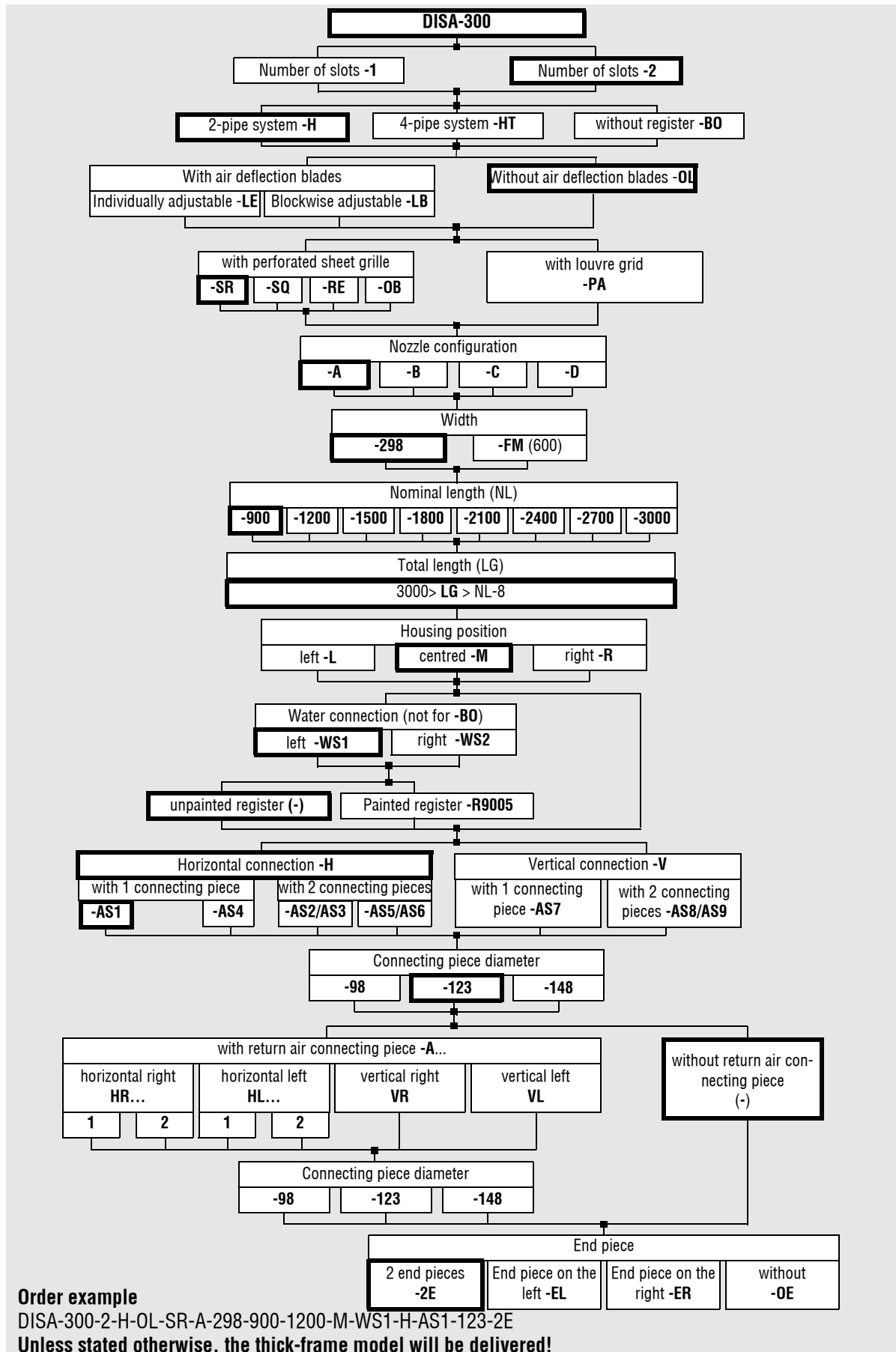


### Legend

NL	(mm)	= Nominal length
LG	(mm)	= Total length
V	(m <sup>3</sup> /h) [l/s]	= Primary air flow
V <sub>Wn</sub>	[l/s]	= Standard amount of water flow
P <sub>S</sub>	(Pa)	= Static pressure
Δp <sub>W</sub>	(kPa)	= Water-side pressure loss
t <sub>Pr</sub>	(°C)	= Primary air temperature
t <sub>R</sub>	(°C)	= Room air temperature
t <sub>WV</sub>	(°C)	= Water supply temperature
Δt <sub>Pr</sub>	(K)	= Temperature difference between room air and conditioned external air
Δt <sub>RWV</sub>	(K)	= Temperature difference between room air and water supply
L <sub>WA</sub>	[dB(A)]	= A-weighted sound power level
k <sub>vs</sub>	(m <sup>3</sup> /h)	= Flow characteristic value of the valve in m <sup>3</sup> /h with the valve completely open and a pressure drop of 1 bar
Δp <sub>S</sub>	(kPa)	= Maximum allowed pressure differential at which the valve will still close against the pressure
Δp <sub>max</sub>	(kPa)	= Maximum allowed differential pressure above the control path of the valve for the entire actuating range of the valve/actuator unit

# Ceiling induction diffuser DISA-300

## Order details



### Order example

DISA-300-2-H-OL-SR-A-298-900-1200-M-WS1-H-AS1-123-2E

Unless stated otherwise, the thick-frame model will be delivered!

## Ceiling induction diffuser DISA-300

### Accessories:

Rubber lip seal <b>-GD</b>	Flexible connection hoses <b>-FA (500/800/1200)</b>
Volumetric flow measuring tube	External thread flat-sealing <b>-WA 1/2</b>
Condensation monitor	Control units
Valves	Actuators
Band design <b>-BA</b>	

### Specification text

Ceiling induction diffuser, 1-slot and 2-slot, with front side slot and horizontal heat exchanger, for a flush fit into ceilings or under ceilings. With front side slots, made of extruded aluminium profile painted to RAL 9010 (white), to guide the mixed air volumetric flow. Primary and secondary air flows are mixed in the unit and supplied to the room with Coanda effect through diffuser slots. Housing fitted with nozzles in the primary air duct, made of galvanized sheet steel. With foldable louvre grid type PA or perforated sheet made of sheet steel painted to RAL 9010 (white). With integrated, horizontally mounted induction unit, consisting of a 2-pipe (standard) or 4-pipe (option) heat exchanger for cooling and heating with galvanised sheet steel frame, copper pipes and aluminium blades.

Product: SCHAKO type **DISA -300**

- Number of slots
  - 1-slot (-1)
  - 2-slot (-2)
- System
  - 2-pipe (-H, standard)
  - 4-pipe (-HT)
  - Without register (-BO)
- Air deflection blades
  - Individually adjustable (-LE)
  - Blockwise adjustable (-LB)
  - Without air deflection blades (-OL)
- Perforated sheet grille
  - Foldable perforated sheet, perforation Ø 6 mm (-SR,
  - Foldable perforated sheet, perforation 8x8 mm (-SQ)
  - Foldable perforated sheet, perforation 12x5 mm (-RE)
  - Foldable perforated sheet, oval perforation 20x6 mm (-OB)
- Louvre grid (-PA)
  - Foldable louvre grid type PA
- Nozzle configuration
  - A (standard)
  - B
  - C
  - D
- Width

- 298
- FM (600)
- Nominal length (NL)
  - 900-3000 (with 300 mm division)
- Total length (LG)
  - 3000 > LG > NL-8
- Housing position
  - left (-L)
  - centred (-M)
  - right (-R)
- Water connection
  - sideways top left (-WS1)
  - sideways top right (-WS2)
- Register paint
  - Unpainted register (-)
  - Register painted black (-R9005)
- Arrangement of connecting pieces
  - horizontal with 1 connecting piece (-AS1 or -AS4)
  - horizontal with 2 connecting pieces (-AS2/AS3 or -AS5/
  - vertical with 1 connecting piece (-AS7)
  - vertical with 2 connecting pieces (-AS8/AS9)
- Connecting piece diameter
  - Ø 98 mm
  - Ø 123 mm (standard)
  - Ø 148 mm
- Return air connecting piece (-A)
  - horizontal right (-HR)
  - horizontal left (-HL)
  - vertical right (-VR)
  - vertical left (-VL)
- Connecting piece diameter of return air connecting piece
  - Ø 98 mm
  - Ø 123 mm (standard)
  - Ø 148 mm
- End piece
  - Model with two end pieces (-2E) (standard)
  - Model with left-hand end piece (-EL)
  - Model with right-hand end piece (-ER)
  - Model without end pieces (-OE)

### Accessories

- Rubber lip seal (-GD)
- Flexible connection hoses
  - 500 mm (-FA 500)
  - 800 mm (-FA 800)
  - 1200 mm (-FA 1200)
- Volumetric flow measuring tube
- External thread flat sealing (-WA 1/2)
- Condensation monitor
- Control units
- Valves
- Actuators
- Band design (-BA)